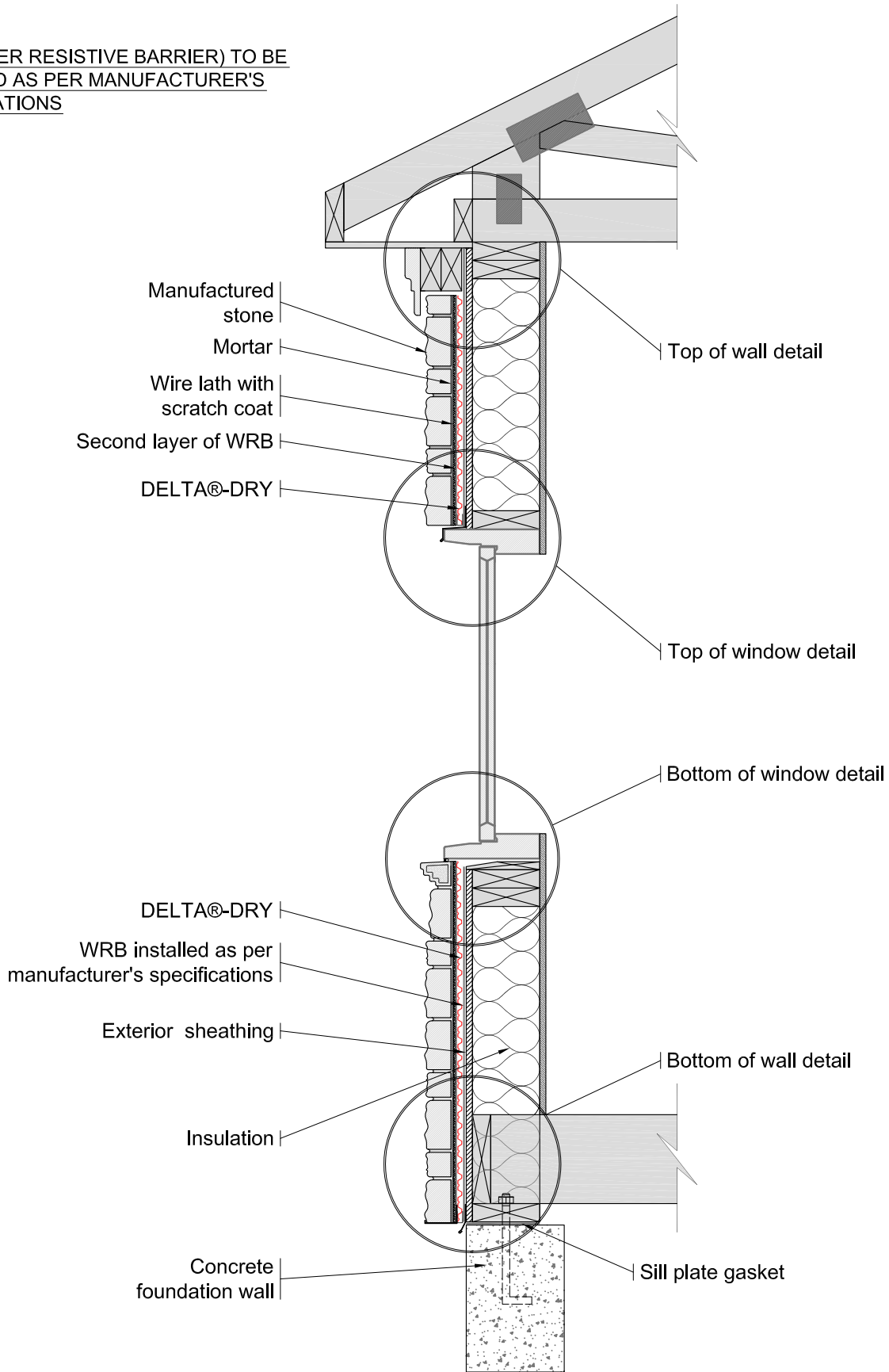


NOTE:
WRB (WATER RESISTIVE BARRIER) TO BE
 INSTALLED AS PER MANUFACTURER'S
 SPECIFICATIONS



** For proper performance of DELTA®-DRY ensure top and bottom remain open to allow ventilation and drainage **

THIS DRAWING AND THE INFORMATION CONTAINED ARE THE PROPERTY OF COSELLA DÖRKEN. THEY ARE NOT TO BE COPIED OR MISUSED IN ANY WAY WITHOUT OUR WRITTEN PERMISSION

COSELLA DÖRKEN

4655 DELTA WAY BEAMSVILLE, ON. L0R 1B4 CANADA
 TEL# 1-888-433-5824 OR 1-905-563-3255

THIS IS A PROPOSAL DRAWING. DO NOT USE FOR CONSTRUCTION UNTIL APPROVED BY CONTRACTOR OR CONSULTING ENGINEER

TITLE:

**DELTA®-DRY RAINSCREEN APPLICATION WITH
 MANUFACTURED STONE**

APP'D BY:

DATE:

DRAWN BY: KRZYSZTOF APRIASZ.

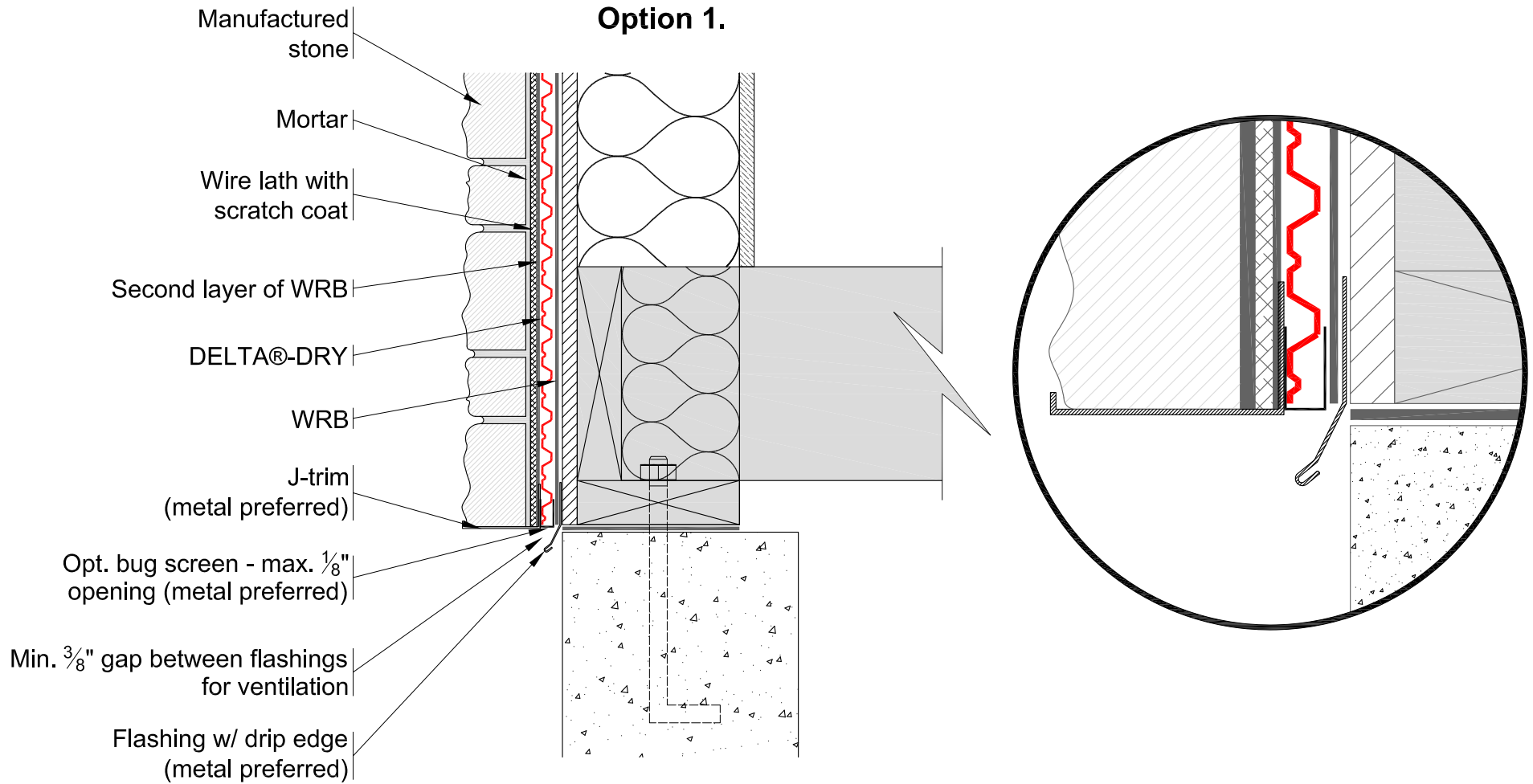
DATE: January 19, 2009

SCALE: NTS

FILE NAME: DRY1.dwg

NOTE:
WRB (WATER RESISTIVE BARRIER) TO BE
INSTALLED AS PER MANUFACTURER'S
SPECIFICATIONS

Option 1.



** For proper performance of DELTA®-DRY ensure top and bottom remain open to allow ventilation and drainage **

THIS DRAWING AND THE INFORMATION CONTAINED ARE THE PROPERTY OF COSELLA DÖRKEN. THEY ARE NOT TO BE COPIED OR MISUSED IN ANY WAY WITHOUT OUR WRITTEN PERMISSION

COSELLA DÖRKEN

4655 DELTA WAY BEAMSVILLE, ON. L0R 1B4 CANADA
 TEL# 1-888-433-5824 OR 1-905-563-3255

THIS IS A PROPOSAL DRAWING. DO NOT USE FOR CONSTRUCTION UNTIL APPROVED BY CONTRACTOR OR CONSULTING ENGINEER

TITLE: **DELTA®-DRY RAINSCREEN APPLICATION WITH MANUFACTURED STONE**
BOTTOM OF WALL DETAIL OPTION 1

APP'D BY: _____ DATE: _____

DRAWN BY: KRZYSZTOF APRIASZ.

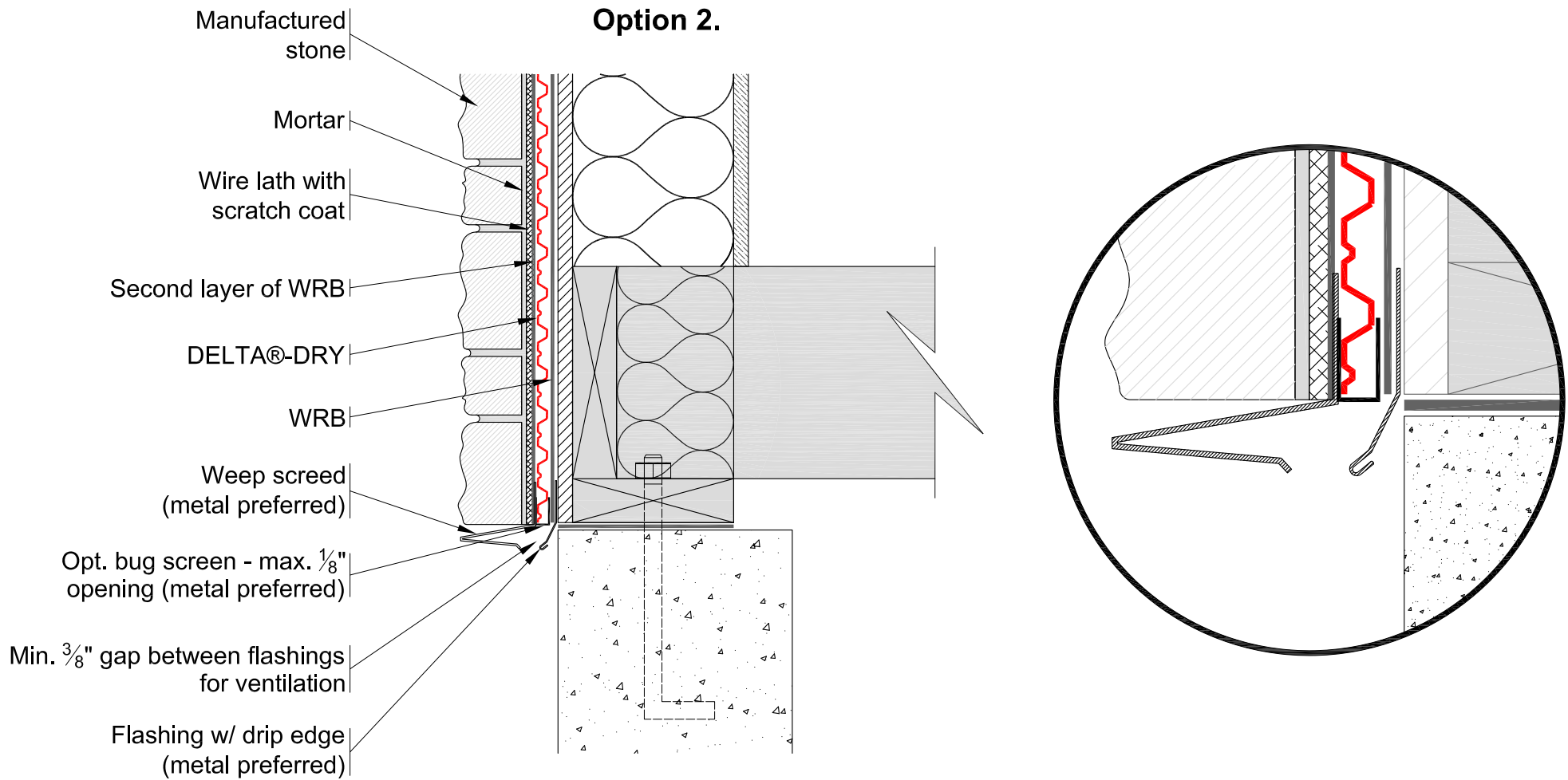
CHKD BY: _____

DATE: January 19, 2009

SCALE: NTS

FILE NAME: DRY1B1.dwg

NOTE:
WRB (WATER RESISTIVE BARRIER) TO BE
INSTALLED AS PER MANUFACTURER'S
SPECIFICATIONS



** For proper performance of DELTA®-DRY ensure top and bottom remain open to allow ventilation and drainage **

THIS DRAWING AND THE INFORMATION CONTAINED ARE THE PROPERTY OF COSELLA DÖRKEN. THEY ARE NOT TO BE COPIED OR MISUSED IN ANY WAY WITHOUT OUR WRITTEN PERMISSION

COSELLA DÖRKEN

4655 DELTA WAY BEAMSVILLE, ON. L0R 1B4 CANADA
 TEL# 1-888-433-5824 OR 1-905-563-3255

THIS IS A PROPOSAL DRAWING. DO NOT USE FOR CONSTRUCTION UNTIL APPROVED BY CONTRACTOR OR CONSULTING ENGINEER

TITLE: **DELTA®-DRY RAINSCREEN APPLICATION WITH MANUFACTURED STONE
 BOTTOM OF WALL DETAIL OPTION 2**

APP'D BY: _____ DATE: _____

DRAWN BY: KRZYSZTOF APRIASZ.

CHKD BY: _____

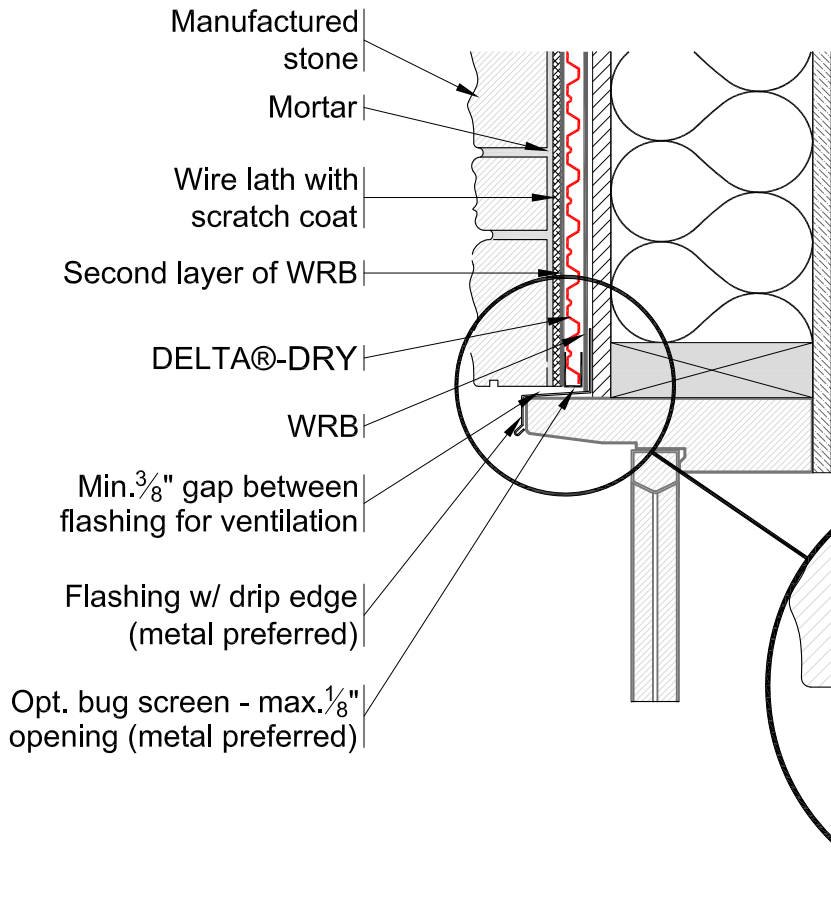
DATE: January 19, 2009

SCALE: NTS

FILE NAME: DRY1B2.dwg

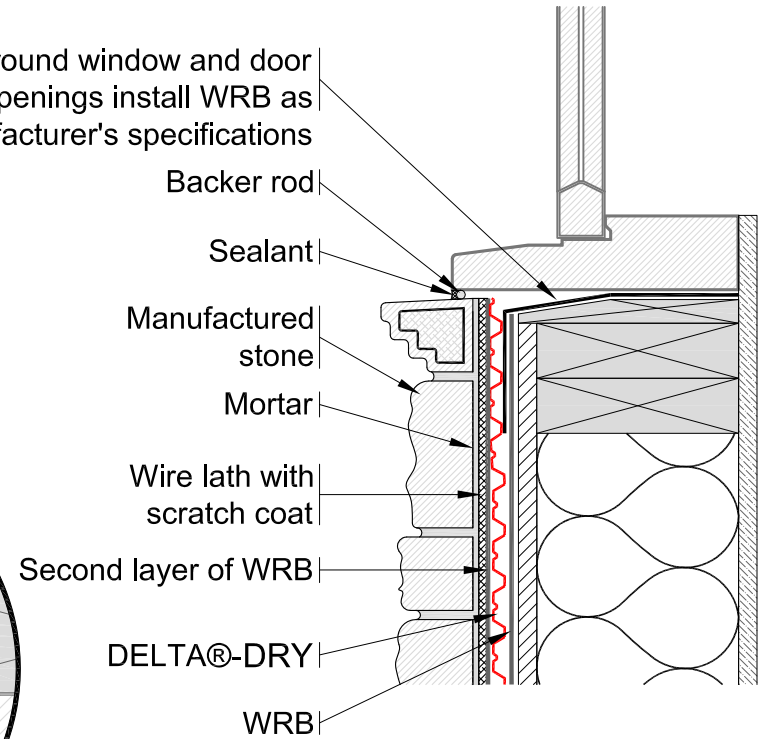
NOTE:
WRB (WATER RESISTIVE BARRIER) TO BE
INSTALLED AS PER THE MANUFACTURER'S
SPECIFICATIONS

TOP OF WINDOW DETAIL



BOTTOM OF WINDOW DETAIL

Around window and door openings install WRB as per manufacturer's specifications



** For proper performance of DELTA®-DRY ensure top and bottom remain open to allow ventilation and drainage **

THIS DRAWING AND THE INFORMATION CONTAINED ARE THE PROPERTY OF COSELLA DÖRKEN. THEY ARE NOT TO BE COPIED OR MISUSED IN ANY WAY WITHOUT OUR WRITTEN PERMISSION

COSELLA DÖRKEN

4655 DELTA WAY BEAMSVILLE, ON. L0R 1B4 CANADA
 TEL# 1-888-433-5824 OR 1-905-563-3255

THIS IS A PROPOSAL DRAWING. DO NOT USE FOR CONSTRUCTION UNTIL APPROVED BY CONTRACTOR OR CONSULTING ENGINEER

TITLE:

**DELTA®-DRY RAINSCREEN APPLICATION WITH
 MANUFACTURED STONE WINDOW DETAIL**

APP'D BY:

DATE:

DRAWN BY: KRZYSZTOF APRIASZ.

CHKD BY:

DATE: January 19, 2009

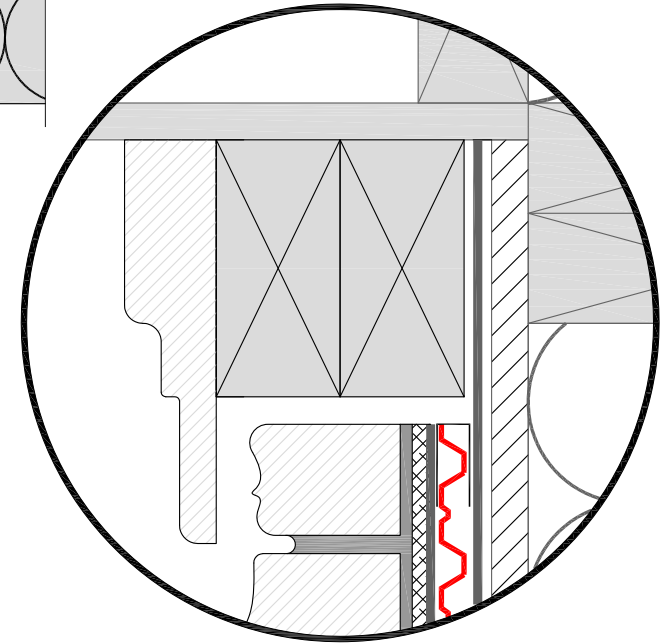
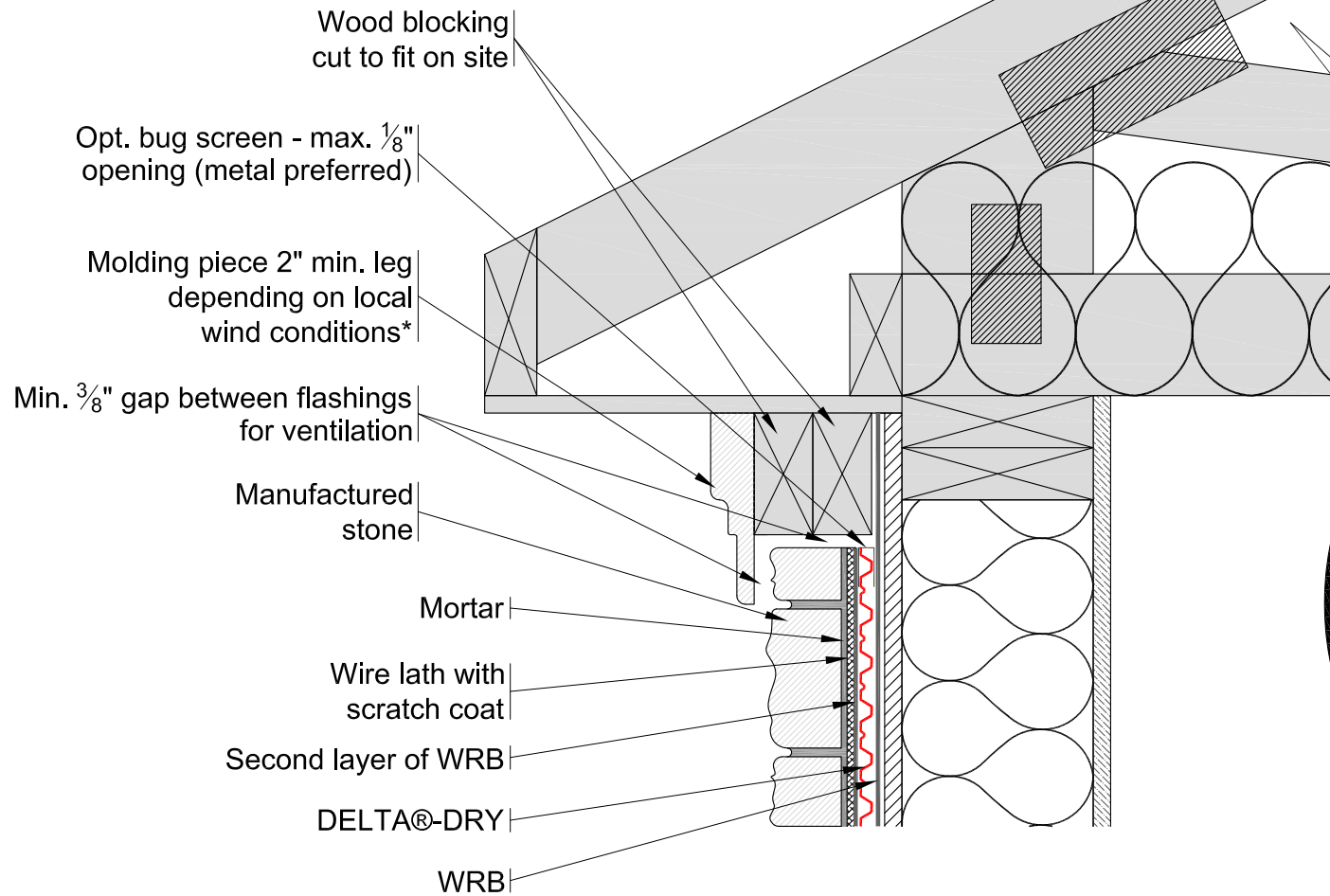
SCALE: NTS

FILE NAME: DRY1W1.dwg

NOTE:
WRB (WATER RESISTIVE BARRIER) TO BE
INSTALLED AS PER THE MANUFACTURER'S
SPECIFICATIONS

*Note: Check local requirements for appropriate leg length

Option 1.



** For proper performance of DELTA®-DRY ensure top and bottom remain open to allow ventilation and drainage **

THIS DRAWING AND THE INFORMATION CONTAINED ARE THE PROPERTY OF COSELLA DÖRKEN. THEY ARE NOT TO BE COPIED OR MISUSED IN ANY WAY WITHOUT OUR WRITTEN PERMISSION

COSELLA DÖRKEN

4655 DELTA WAY BEAMSVILLE, ON. L0R 1B4 CANADA
 TEL# 1-888-433-5824 OR 1-905-563-3255

THIS IS A PROPOSAL DRAWING. DO NOT USE FOR CONSTRUCTION UNTIL APPROVED BY CONTRACTOR OR CONSULTING ENGINEER

TITLE:

**DELTA®-DRY RAINSCREEN APPLICATION WITH
 MANUFACTURED STONE TOP OF WALL DETAIL OPTION 1**

APP'D BY:

DATE:

DRAWN BY: KRZYSZTOF APRIASZ.

CHKD BY:

DATE: January 19, 2009

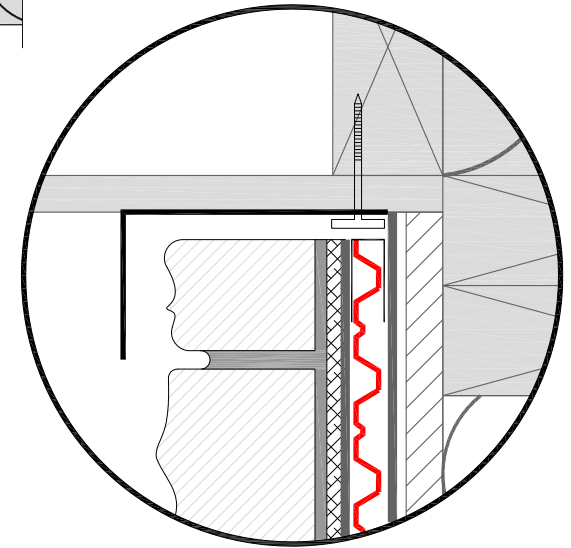
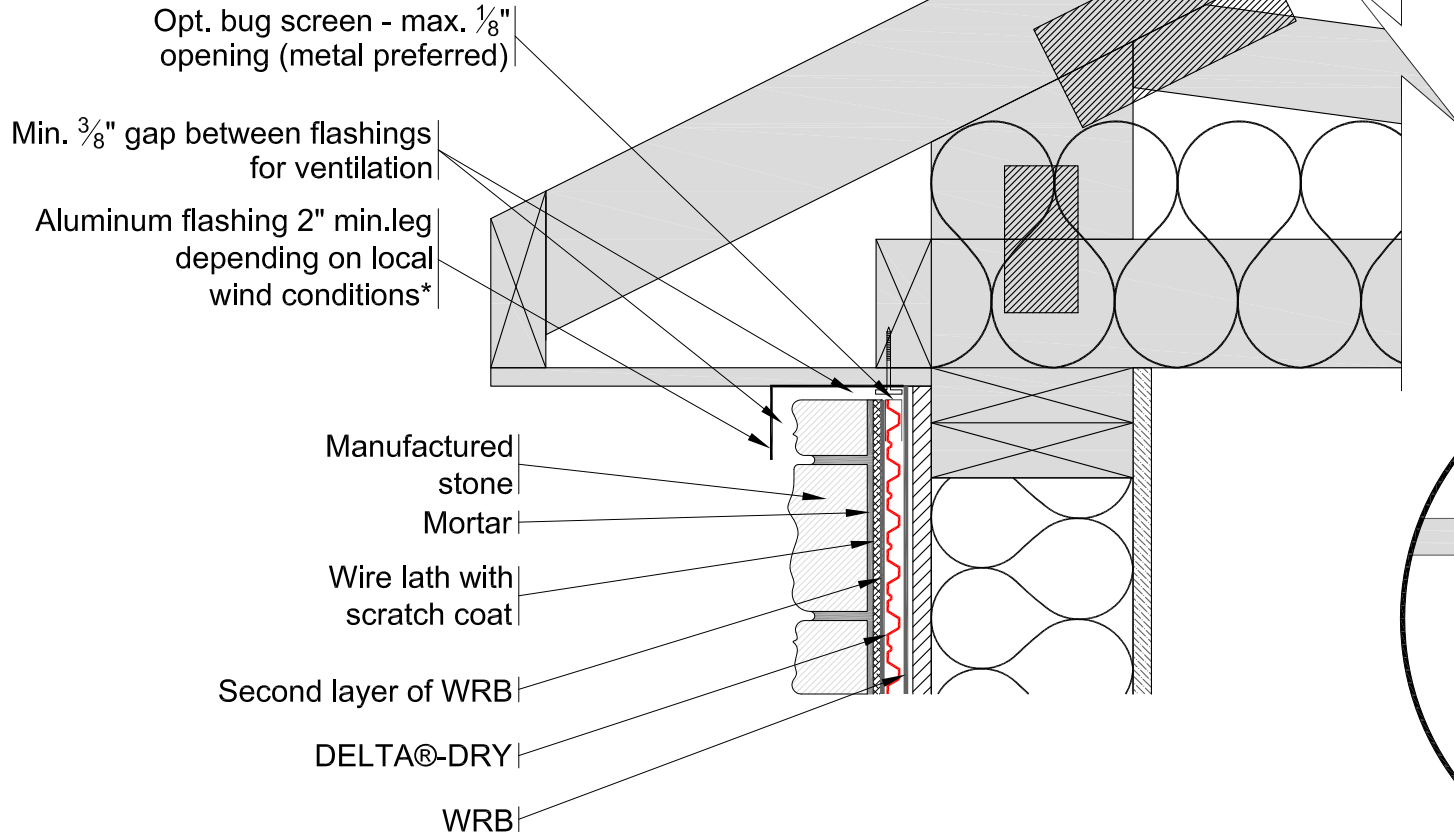
SCALE: NTS

FILE NAME: DRY1T1.dwg

NOTE:
WRB (WATER RESISTIVE BARRIER) TO BE
INSTALLED AS PER THE MANUFACTURER'S
SPECIFICATIONS

*Note: Check local requirements for appropriate leg length

Option 2. "L" flashing



** For proper performance of DELTA®-DRY ensure top and bottom remain open to allow ventilation and drainage **

THIS DRAWING AND THE INFORMATION CONTAINED ARE THE PROPERTY OF COSELLA DÖRKEN. THEY ARE NOT TO BE COPIED OR MISUSED IN ANY WAY WITHOUT OUR WRITTEN PERMISSION

COSELLA DÖRKEN

4655 DELTA WAY BEAMSVILLE, ON. L0R 1B4 CANADA
 TEL# 1-888-433-5824 OR 1-905-563-3255

THIS IS A PROPOSAL DRAWING. DO NOT USE FOR CONSTRUCTION UNTIL APPROVED BY CONTRACTOR OR CONSULTING ENGINEER

TITLE:

**DELTA®-DRY RAINSCREEN APPLICATION WITH
 MANUFACTURED STONE TOP OF WALL DETAIL OPTION 2**

APP'D BY: DATE:

DRAWN BY: KRZYSZTOF APRIASZ.

CHKD BY:

DATE: January 19, 2009

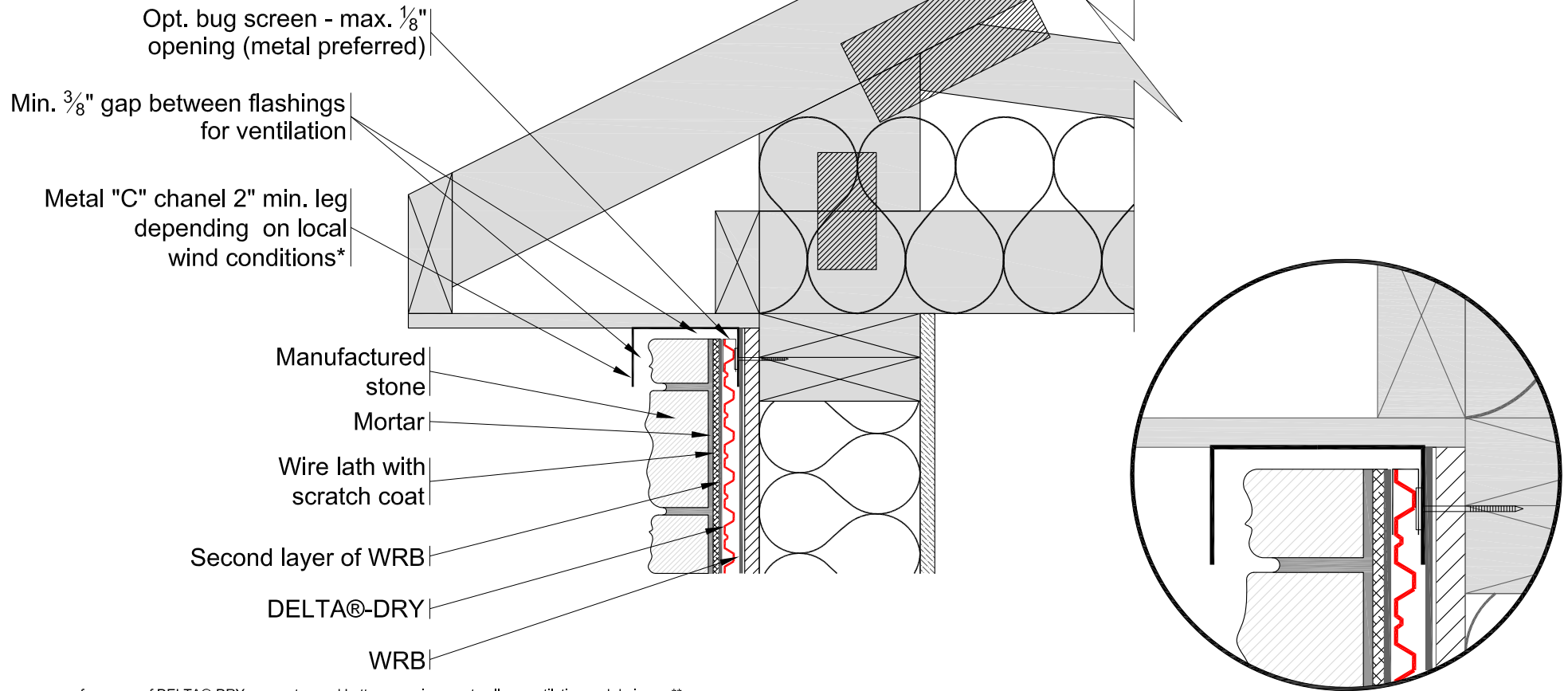
SCALE: NTS

FILE NAME: DRY1T2.dwg

NOTE:
WRB (WATER RESISTIVE BARRIER) TO BE
INSTALLED AS PER THE MANUFACTURER'S
SPECIFICATIONS

*Note: Check local requirements for appropriate leg length

Option 3. "C" chanel



** For proper performance of DELTA®-DRY ensure top and bottom remain open to allow ventilation and drainage **

THIS DRAWING AND THE INFORMATION CONTAINED ARE THE PROPERTY OF COSELLA DÖRKEN. THEY ARE NOT TO BE COPIED OR MISUSED IN ANY WAY WITHOUT OUR WRITTEN PERMISSION

COSELLA DÖRKEN

4655 DELTA WAY BEAMSVILLE, ON. L0R 1B4 CANADA
 TEL# 1-888-433-5824 OR 1-905-563-3255

THIS IS A PROPOSAL DRAWING. DO NOT USE FOR CONSTRUCTION UNTIL APPROVED BY CONTRACTOR OR COSULTING ENGINEER

TITLE: **DELTA®-DRY RAINSCREEN APPLICATION WITH MANUFACTURED STONE TOP OF WALL DETAIL OPTION 3**

APP'D BY: _____ DATE: _____

DRAWN BY: KRZYSZTOF APRIASZ.

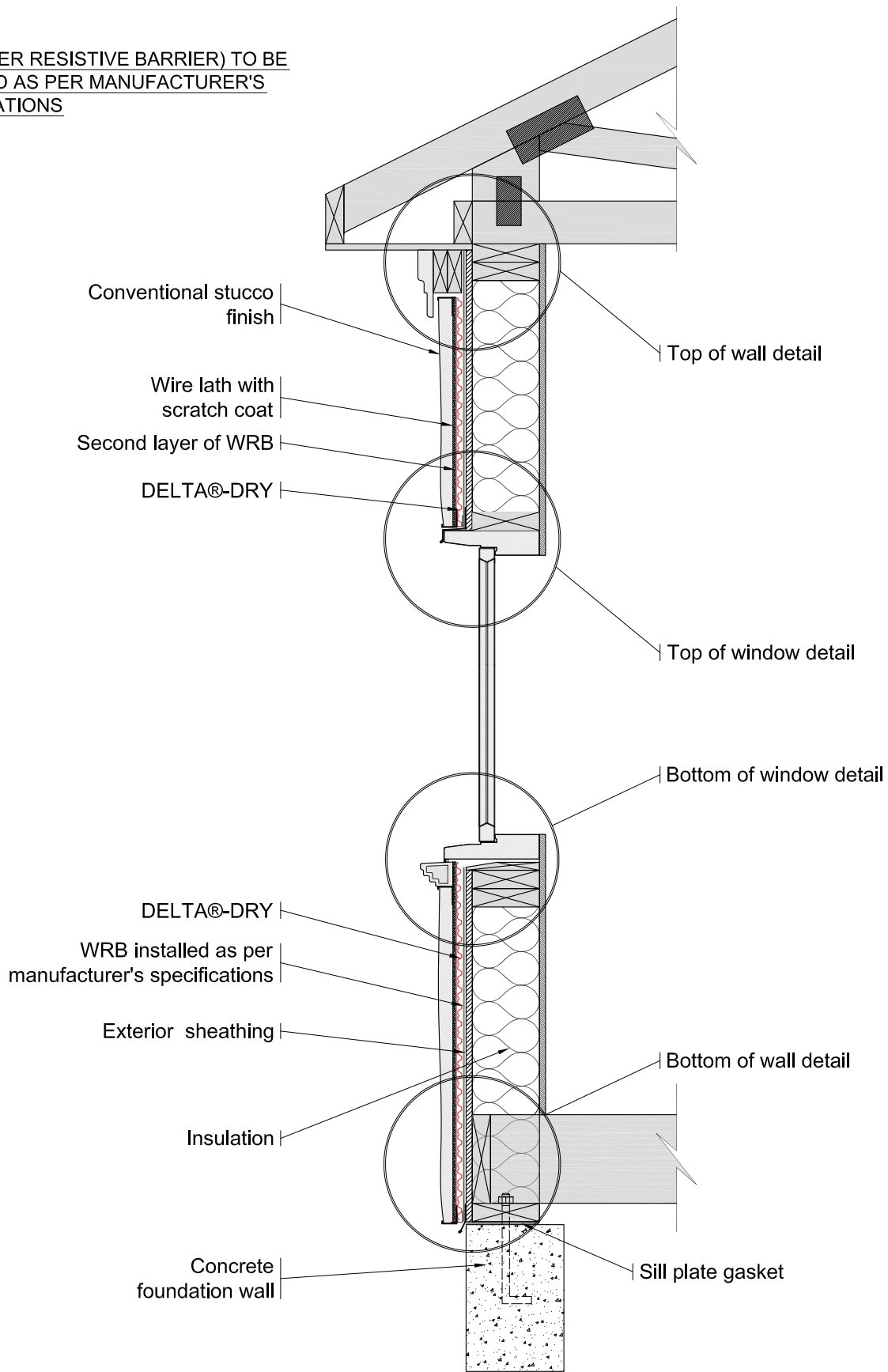
CHKD BY: _____

DATE: January 19, 2009

SCALE: NTS

FILE NAME: DRY1T3.dwg

NOTE:
WRB (WATER RESISTIVE BARRIER) TO BE
 INSTALLED AS PER MANUFACTURER'S
 SPECIFICATIONS



** For proper performance of DELTA®-DRY ensure top and bottom remain open to allow ventilation and drainage **

THIS DRAWING AND THE INFORMATION CONTAINED ARE THE PROPERTY OF COSELLA DÖRKEN. THEY ARE NOT TO BE COPIED OR MISUSED IN ANY WAY WITHOUT OUR WRITTEN PERMISSION

COSELLA DÖRKEN

4655 DELTA WAY BEAMSVILLE, ON. L0R 1B4 CANADA
 TEL# 1-888-433-5824 OR 1-905-563-3255

THIS IS A PROPOSAL DRAWING. DO NOT USE FOR CONSTRUCTION UNTIL APPROVED BY CONTRACTOR OR CONSULTING ENGINEER

TITLE:

**DELTA®-DRY RAINSCREEN APPLICATION WITH
 CONVENTIONAL STUCCO FINISH**

APP'D BY:

DATE:

DRAWN BY: KRZYSZTOF APRIASZ.

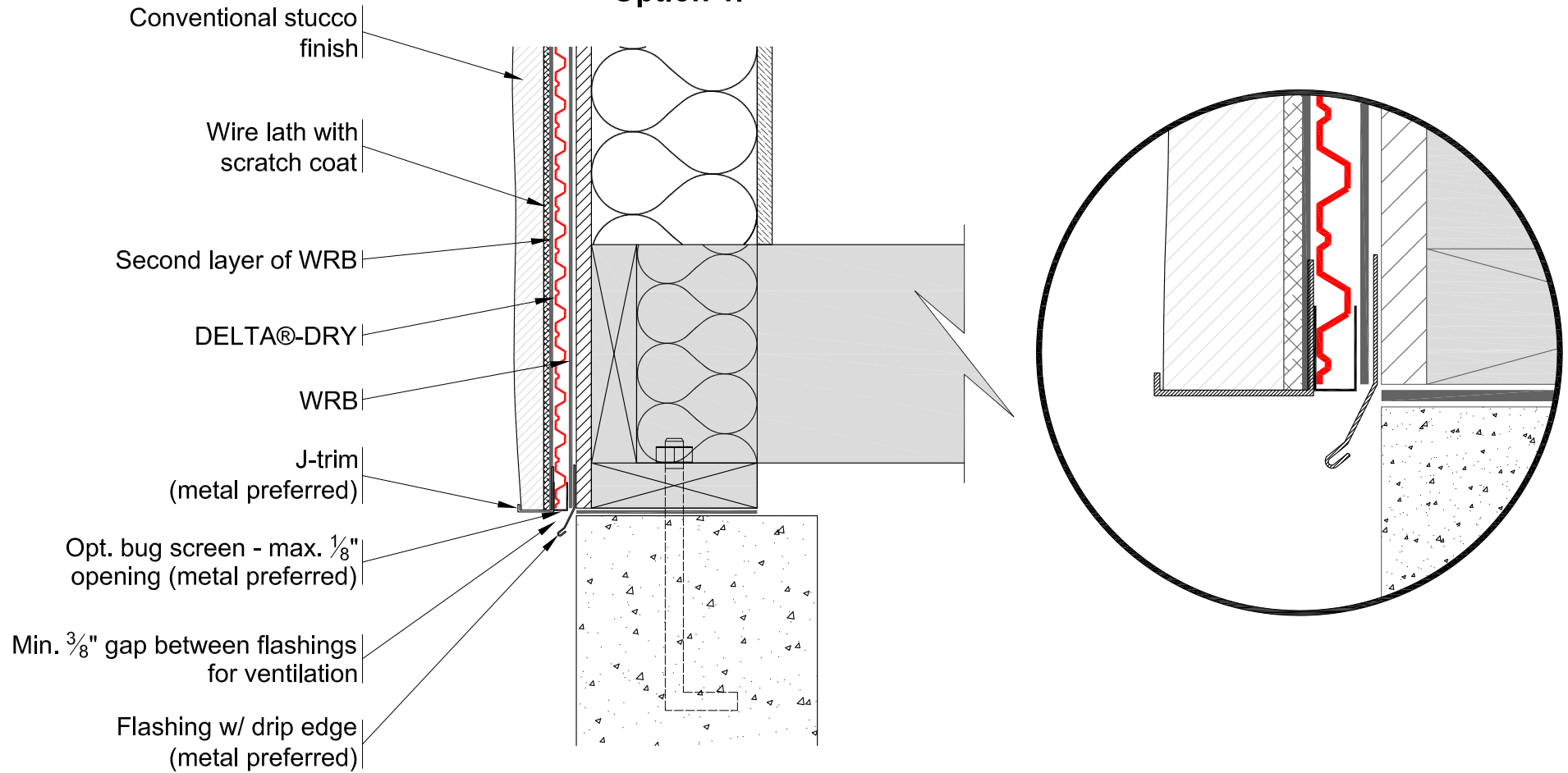
DATE: February 19, 2009

SCALE: NTS

FILE NAME: DRY2.dwg

NOTE:
WRB (WATER RESISTIVE BARRIER) TO BE
INSTALLED AS PER MANUFACTURER'S
SPECIFICATIONS

Option 1.



** For proper performance of DELTA®-DRY ensure top and bottom remain open to allow ventilation and drainage **

THIS DRAWING AND THE INFORMATION CONTAINED ARE THE PROPERTY OF COSELLA DÖRKEN. THEY ARE NOT TO BE COPIED OR MISUSED IN ANY WAY WITHOUT OUR WRITTEN PERMISSION

COSELLA DÖRKEN

4655 DELTA WAY BEAMSVILLE, ON. L0R 1B4 CANADA
 TEL# 1-888-433-5824 OR 1-905-563-3255

THIS IS A PROPOSAL DRAWING. DO NOT USE FOR CONSTRUCTION UNTIL APPROVED BY CONTRACTOR OR CONSULTING ENGINEER

TITLE: **DELTA®-DRY RAINSCREEN APPLICATION WITH CONVENTIONAL STUCCO FINISH BOTTOM OF WALL DETAIL OPTION 1**

APP'D BY: _____ DATE: _____

DRAWN BY: KRZYSZTOF APRIASZ.

CHKD BY: _____

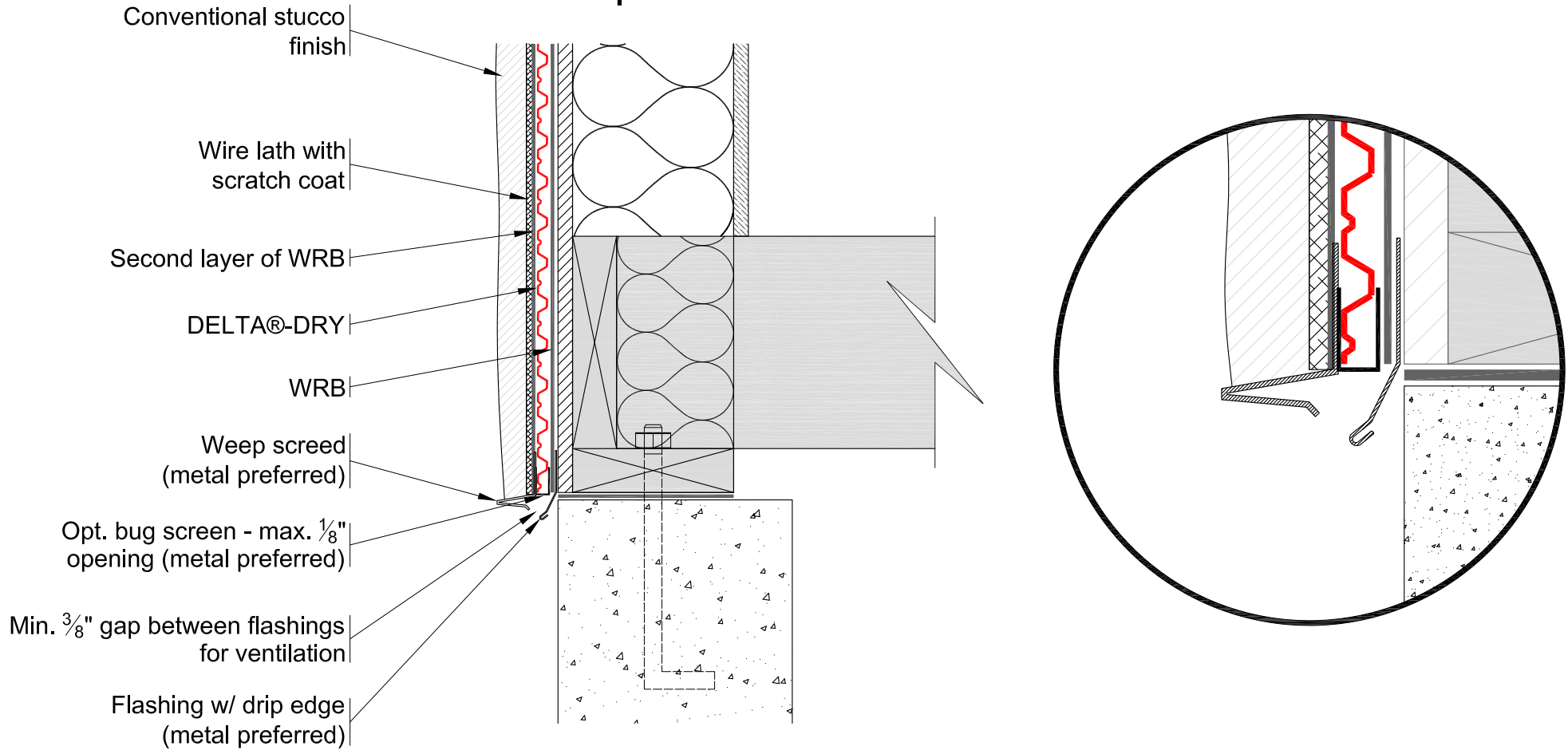
DATE: February 19, 2009

SCALE: NTS

FILE NAME: DRY2B1.dwg

NOTE:
WRB (WATER RESISTIVE BARRIER) TO BE
INSTALLED AS PER MANUFACTURER'S
SPECIFICATIONS

Option 2.



** For proper performance of DELTA@-DRY ensure top and bottom remain open to allow ventilation and drainage **

THIS DRAWING AND THE INFORMATION CONTAINED ARE THE PROPERTY OF COSELLA DÖRKEN. THEY ARE NOT TO BE COPIED OR MISUSED IN ANY WAY WITHOUT OUR WRITTEN PERMISSION

COSELLA DÖRKEN

4655 DELTA WAY BEAMSVILLE, ON. L0R 1B4 CANADA
 TEL# 1-888-433-5824 OR 1-905-563-3255

THIS IS A PROPOSAL DRAWING. DO NOT USE FOR CONSTRUCTION UNTIL APPROVED BY CONTRACTOR OR CONSULTING ENGINEER

TITLE: **DELTA@-DRY RAINSCREEN APPLICATION WITH CONVENTIONAL STUCCO FINISH BOTTOM OF WALL DETAIL OPTION 2**

APP'D BY: _____ DATE: _____

DRAWN BY: KRZYSZTOF APRIASZ.

CHKD BY: _____

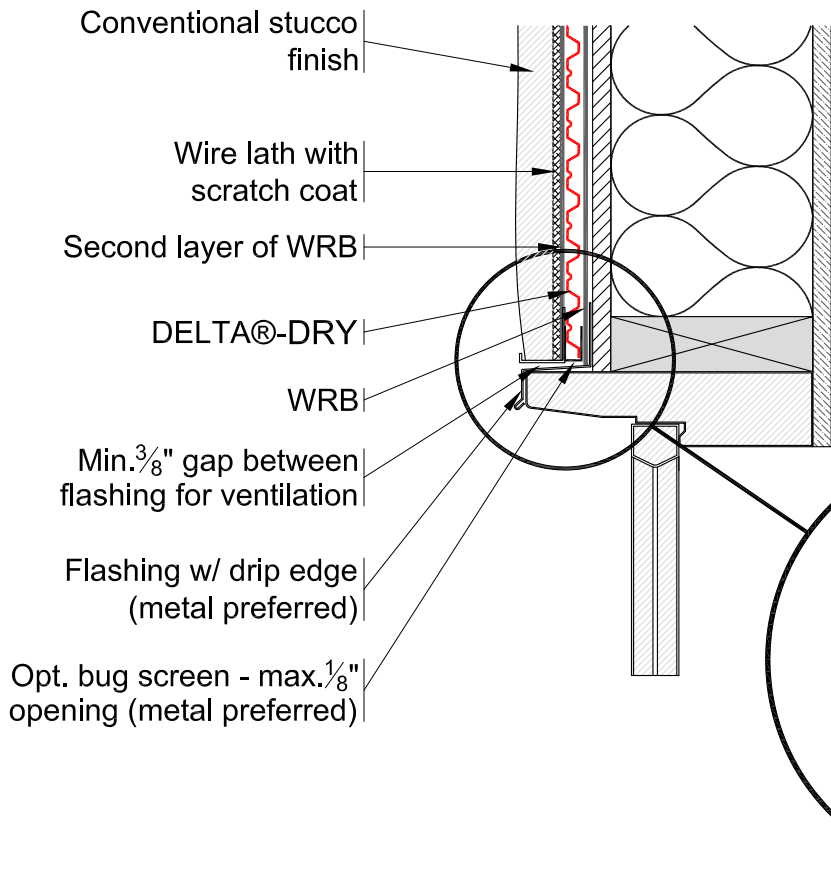
DATE: February 19, 2009

SCALE: NTS

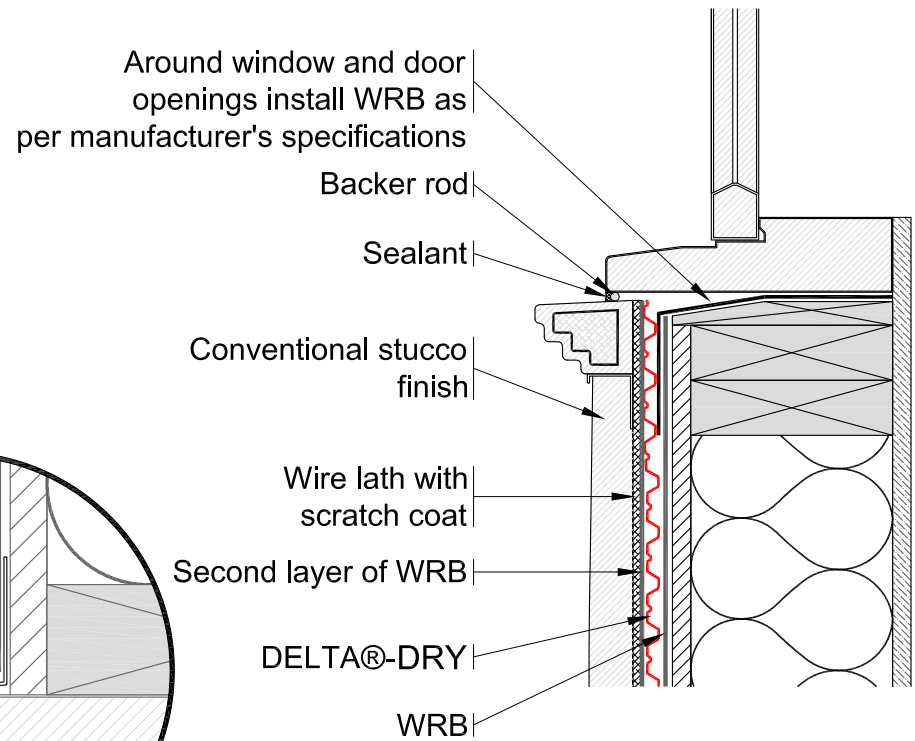
FILE NAME: DRY2B2.dwg

NOTE:
WRB (WATER RESISTIVE BARRIER) TO BE
INSTALLED AS PER THE MANUFACTURER'S
SPECIFICATIONS

TOP OF WINDOW DETAIL



BOTTOM OF WINDOW DETAIL



** For proper performance of DELTA®-DRY ensure top and bottom remain open to allow ventilation and drainage **

THIS DRAWING AND THE INFORMATION CONTAINED ARE THE PROPERTY OF COSELLA DÖRKEN. THEY ARE NOT TO BE COPIED OR MISUSED IN ANY WAY WITHOUT OUR WRITTEN PERMISSION

COSELLA DÖRKEN

4655 DELTA WAY BEAMSVILLE, ON. L0R 1B4 CANADA
 TEL# 1-888-433-5824 OR 1-905-563-3255

THIS IS A PROPOSAL DRAWING. DO NOT USE FOR CONSTRUCTION UNTIL APPROVED BY CONTRACTOR OR CONSULTING ENGINEER

TITLE:

DELTA®-DRY RAINSCREEN APPLICATION WITH CONVENTIONAL STUCCO FINISH WINDOW DETAIL

APP'D BY:

DATE:

DRAWN BY: KRZYSZTOF APRIASZ.

CHKD BY:

DATE: February 19, 2009

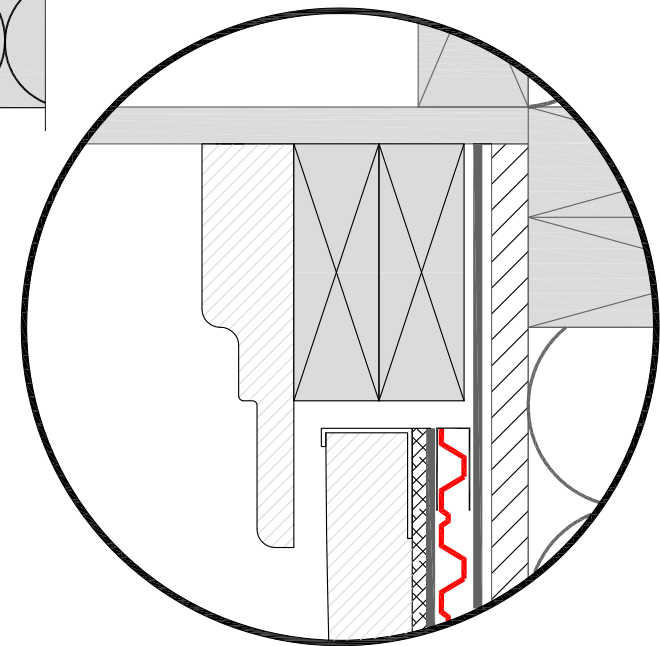
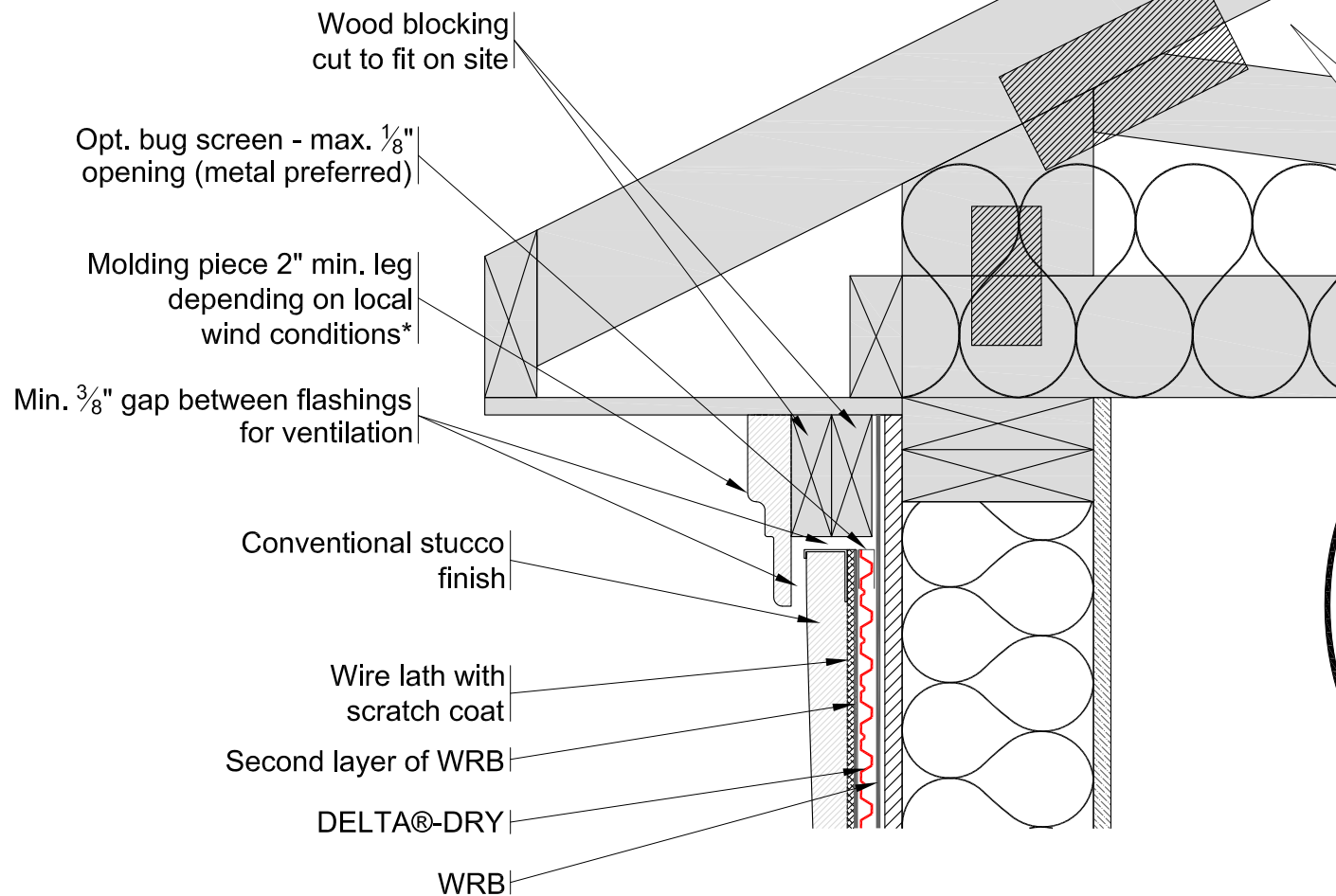
SCALE: NTS

FILE NAME: DRY2W1.dwg

NOTE:
**WRB (WATER RESISTIVE BARRIER) TO BE
 INSTALLED AS PER THE MANUFACTURER'S
 SPECIFICATIONS**

***Note: Check local requirements for
 appropriate leg length**

Option 1.



**** For proper performance of DELTA®-DRY ensure top and bottom remain open to allow ventilation and drainage ****

THIS DRAWING AND THE INFORMATION
 CONTAINED ARE THE PROPERTY OF
 COSELLA DÖRKEN. THEY ARE NOT TO BE
 COPIED OR MISUSED IN ANY WAY
 WITHOUT OUR WRITTEN PERMISSION

COSELLA DÖRKEN

4655 DELTA WAY BEAMSVILLE, ON. L0R 1B4 CANADA
 TEL# 1-888-433-5824 OR 1-905-563-3255

THIS IS A PROPOSAL DRAWING. DO NOT
 USE FOR CONSTRUCTION UNTIL
 APPROVED BY CONTRACTOR OR
 CONSULTING ENGINEER

TITLE:
**DELTA®-DRY RAINSCREEN APPLICATION WITH CONVENTIONAL
 STUCCO FINISH TOP OF WALL DETAIL OPTION 1**

APP'D BY: DATE:

DRAWN BY: KRZYSZTOF APRIASZ.

CHKD BY:

DATE: February 19, 2009

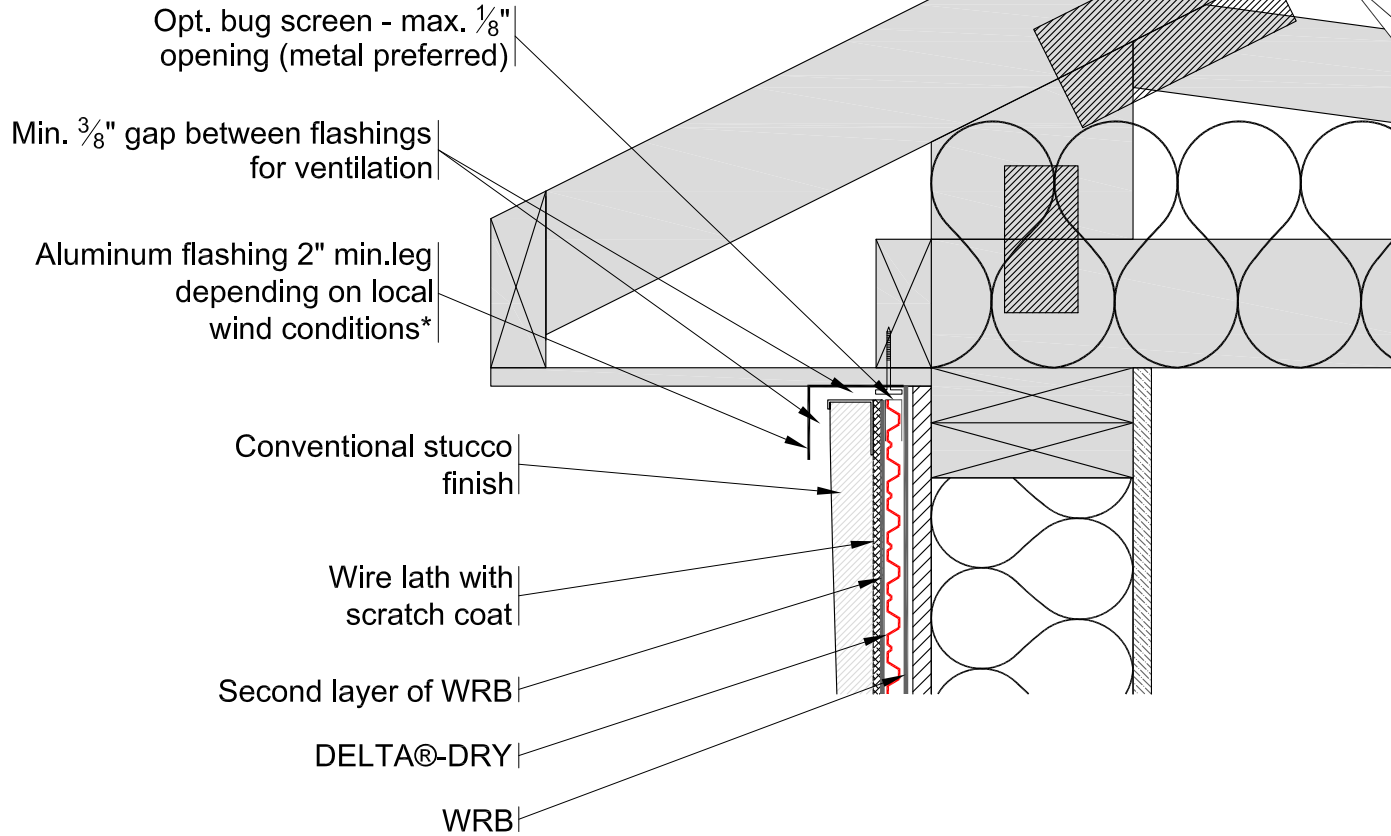
SCALE: NTS

FILE NAME: DRY2T1.dwg

NOTE:
WRB (WATER RESISTIVE BARRIER) TO BE
 INSTALLED AS PER THE MANUFACTURER'S
 SPECIFICATIONS

*Note: Check local requirements for
 appropriate leg length

Option 2. "L" flashing



** For proper performance of DELTA®-DRY ensure top and bottom remain open to allow ventilation and drainage **

THIS DRAWING AND THE INFORMATION
 CONTAINED ARE THE PROPERTY OF
 COSELLA DÖRKEN. THEY ARE NOT TO BE
 COPIED OR MISUSED IN ANY WAY
 WITHOUT OUR WRITTEN PERMISSION

COSELLA DÖRKEN

4655 DELTA WAY BEAMSVILLE, ON. L0R 1B4 CANADA
 TEL# 1-888-433-5824 OR 1-905-563-3255

THIS IS A PROPOSAL DRAWING. DO NOT
 USE FOR CONSTRUCTION UNTIL
 APPROVED BY CONTRACTOR OR
 CONSULTING ENGINEER

TITLE:

**DELTA®-DRY RAINSCREEN APPLICATION WITH
 CONVENTIONAL STUCCO FINISH TOP OF WALL DETAIL OPTION 2**

APP'D BY:

DATE:

DRAWN BY: KRZYSZTOF APRIASZ.

CHKD BY:

DATE: February 19, 2009

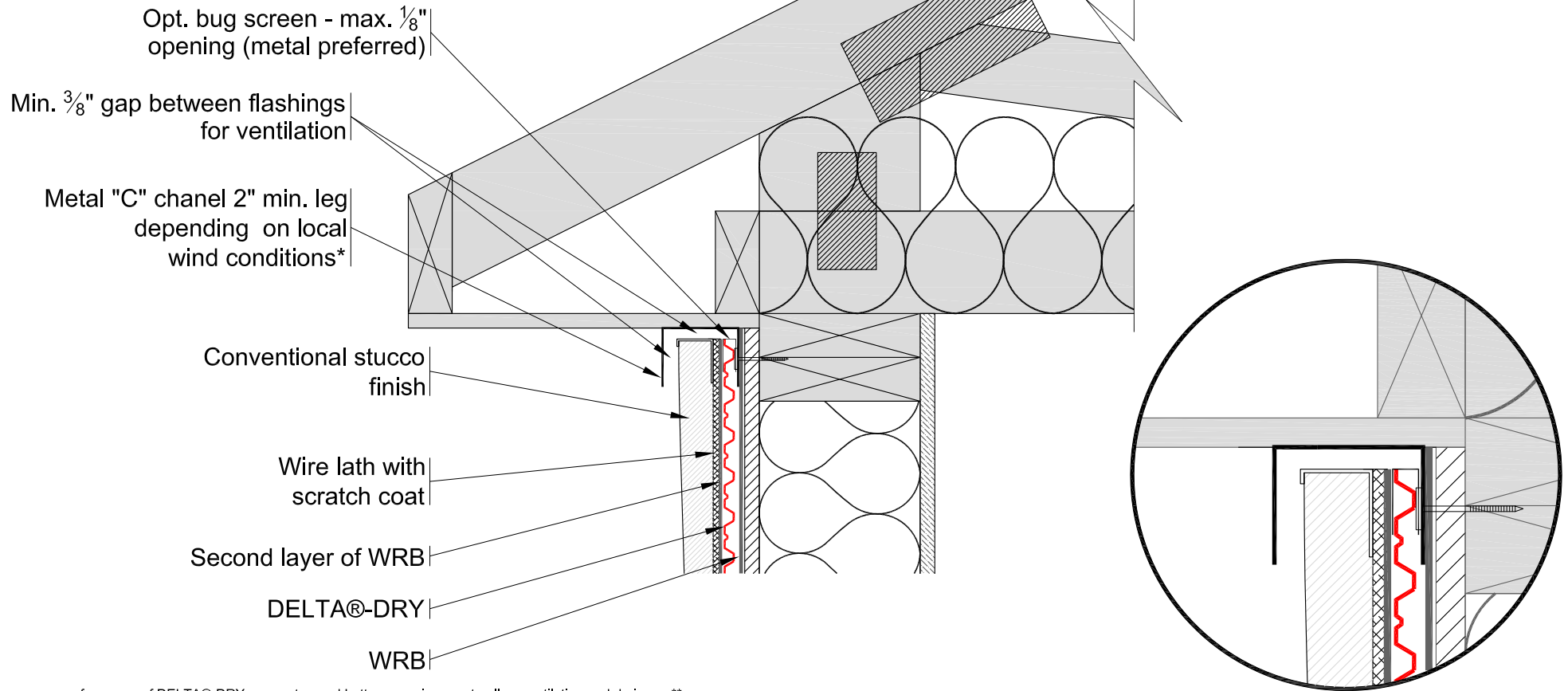
SCALE: NTS

FILE NAME: DRY2T2.dwg

NOTE:
WRB (WATER RESISTIVE BARRIER) TO BE
INSTALLED AS PER THE MANUFACTURER'S
SPECIFICATIONS

*Note: Check local requirements for
 appropriate leg length

Option 3. "C" chanel



** For proper performance of DELTA®-DRY ensure top and bottom remain open to allow ventilation and drainage **

THIS DRAWING AND THE INFORMATION
 CONTAINED ARE THE PROPERTY OF
 COSELLA DÖRKEN. THEY ARE NOT TO BE
 COPIED OR MISUSED IN ANY WAY
 WITHOUT OUR WRITTEN PERMISSION

COSELLA DÖRKEN

4655 DELTA WAY BEAMSVILLE, ON. L0R 1B4 CANADA
 TEL# 1-888-433-5824 OR 1-905-563-3255

THIS IS A PROPOSAL DRAWING. DO NOT
 USE FOR CONSTRUCTION UNTIL
 APPROVED BY CONTRACTOR OR
 CONSULTING ENGINEER

TITLE:
**DELTA®-DRY RAINSCREEN APPLICATION WITH CONVENTIONAL
 STUCCO SINISH TOP OF WALL DETAIL OPTION 3**

APP'D BY: _____ DATE: _____

DRAWN BY: KRZYSZTOF APRIASZ.

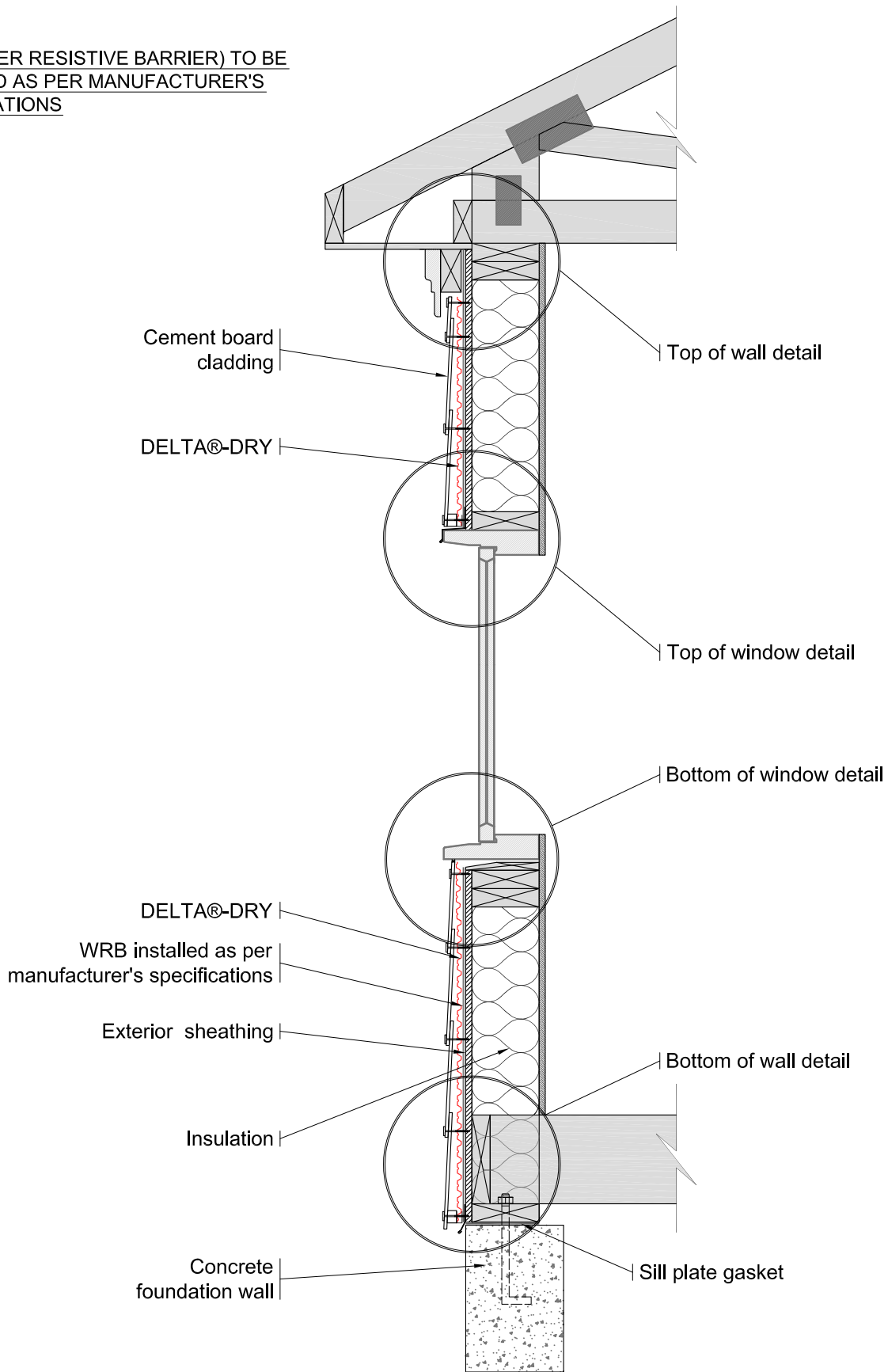
CHKD BY: _____

DATE: February 19, 2009

SCALE: NTS

FILE NAME: DRY2T3.dwg

NOTE:
WRB (WATER RESISTIVE BARRIER) TO BE
 INSTALLED AS PER MANUFACTURER'S
 SPECIFICATIONS



** For proper performance of DELTA®-DRY ensure top and bottom remain open to allow ventilation and drainage **

THIS DRAWING AND THE INFORMATION CONTAINED ARE THE PROPERTY OF COSELLA DÖRKEN. THEY ARE NOT TO BE COPIED OR MISUSED IN ANY WAY WITHOUT OUR WRITTEN PERMISSION

COSELLA DÖRKEN

4655 DELTA WAY BEAMSVILLE, ON. L0R 1B4 CANADA
 TEL# 1-888-433-5824 OR 1-905-563-3255

THIS IS A PROPOSAL DRAWING. DO NOT USE FOR CONSTRUCTION UNTIL APPROVED BY CONTRACTOR OR CONSULTING ENGINEER

TITLE:

**DELTA®-DRY RAINSCREEN APPLICATION WITH
 CEMENT BOARD CLADDING**

APP'D BY:

DATE:

DRAWN BY: KRZYSZTOF APRIASZ.

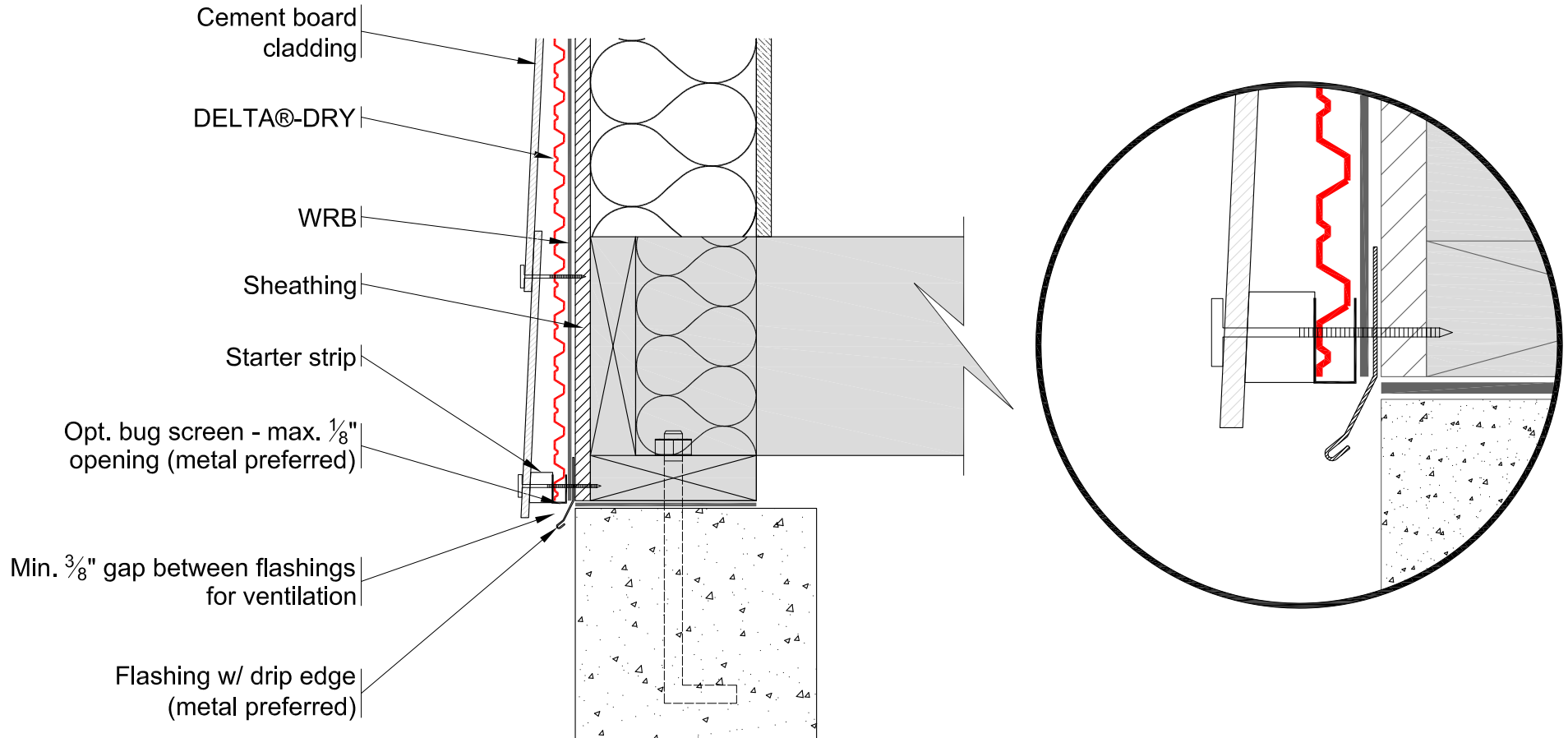
DATE: April 6, 2009

SCALE: NTS

FILE NAME: DRY3.dwg

NOTE:
WRB (WATER RESISTIVE BARRIER) TO BE
INSTALLED AS PER MANUFACTURER'S
SPECIFICATIONS

Option 1.



** For proper performance of DELTA®-DRY ensure top and bottom remain open to allow ventilation and drainage **

THIS DRAWING AND THE INFORMATION CONTAINED ARE THE PROPERTY OF COSELLA DÖRKEN. THEY ARE NOT TO BE COPIED OR MISUSED IN ANY WAY WITHOUT OUR WRITTEN PERMISSION

COSELLA DÖRKEN

4655 DELTA WAY BEAMSVILLE, ON. L0R 1B4 CANADA
 TEL# 1-888-433-5824 OR 1-905-563-3255

THIS IS A PROPOSAL DRAWING. DO NOT USE FOR CONSTRUCTION UNTIL APPROVED BY CONTRACTOR OR CONSULTING ENGINEER

TITLE:

DELTA®-DRY RAINSCREEN APPLICATION WITH CEMENT BOARD CLADDING BOTTOM OF WALL DETAIL

APP'D BY:

DATE:

DRAWN BY: KRZYSZTOF APRIASZ.

CHKD BY:

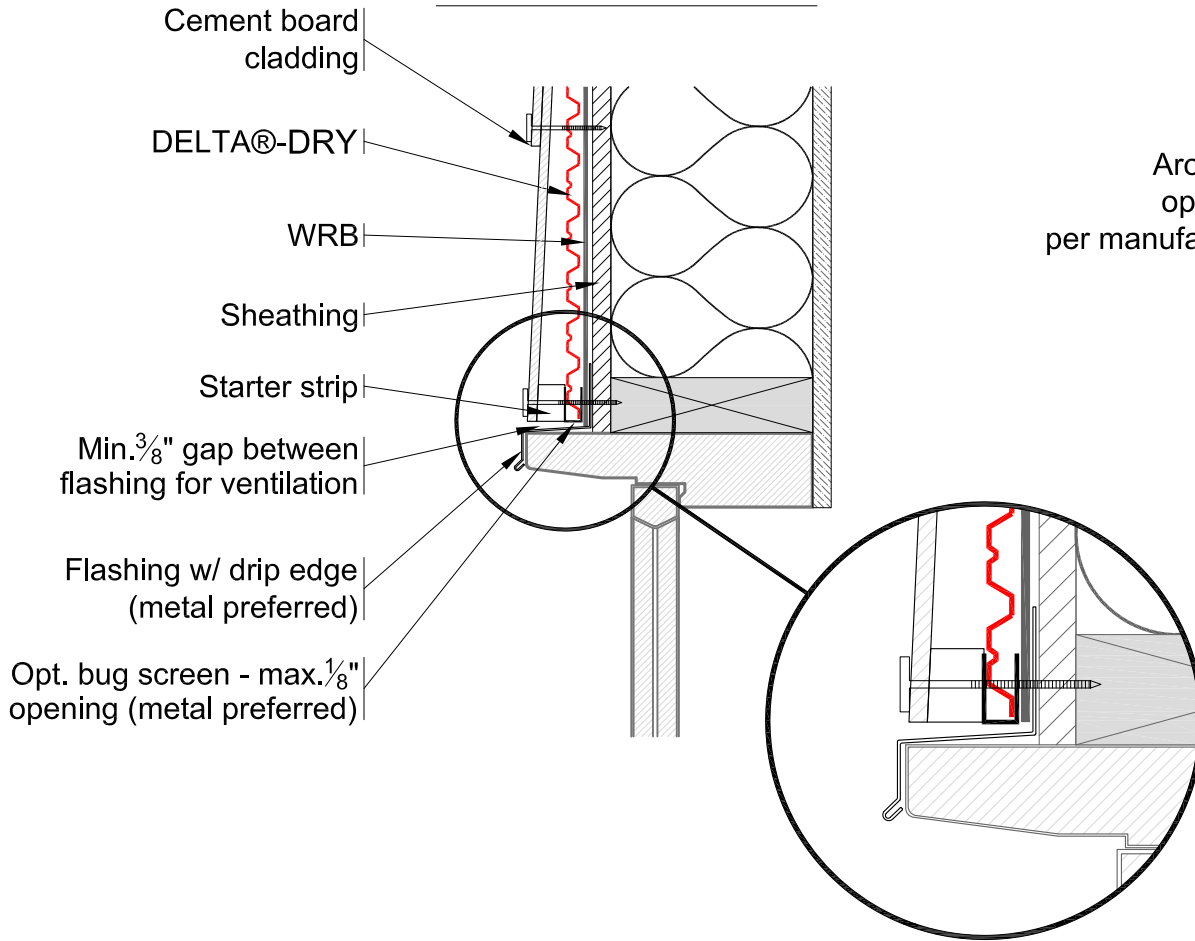
DATE: April 6, 2009

SCALE: NTS

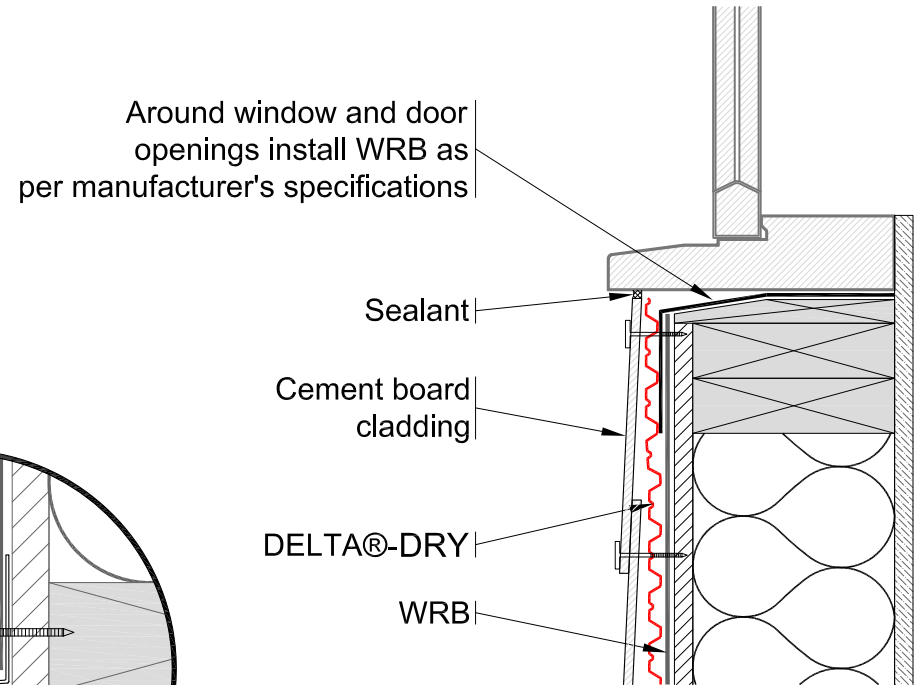
FILE NAME: DRY3B1.dwg

NOTE:
WRB (WATER RESISTIVE BARRIER) TO BE
INSTALLED AS PER THE MANUFACTURER'S
SPECIFICATIONS

TOP OF WINDOW DETAIL



BOTTOM OF WINDOW DETAIL



** For proper performance of DELTA®-DRY ensure top and bottom remain open to allow ventilation and drainage **

THIS DRAWING AND THE INFORMATION CONTAINED ARE THE PROPERTY OF COSELLA DÖRKEN. THEY ARE NOT TO BE COPIED OR MISUSED IN ANY WAY WITHOUT OUR WRITTEN PERMISSION

COSELLA DÖRKEN

4655 DELTA WAY BEAMSVILLE, ON. L0R 1B4 CANADA
 TEL# 1-888-433-5824 OR 1-905-563-3255

THIS IS A PROPOSAL DRAWING. DO NOT USE FOR CONSTRUCTION UNTIL APPROVED BY CONTRACTOR OR CONSULTING ENGINEER

TITLE: **DELTA®-DRY RAINSCREEN APPLICATION WITH CEMENT BOARD CLADDING WINDOW DETAIL (FOR WINDOWWS 6' OR LESS IN LENGTH)**

APP'D BY: _____ DATE: _____

DRAWN BY: KRZYSZTOF APRIASZ.

CHKD BY: _____

DATE: April 6, 2009

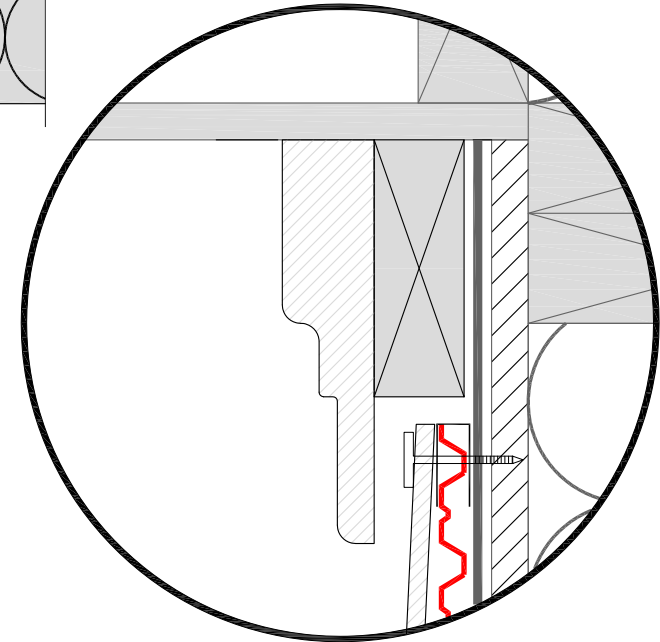
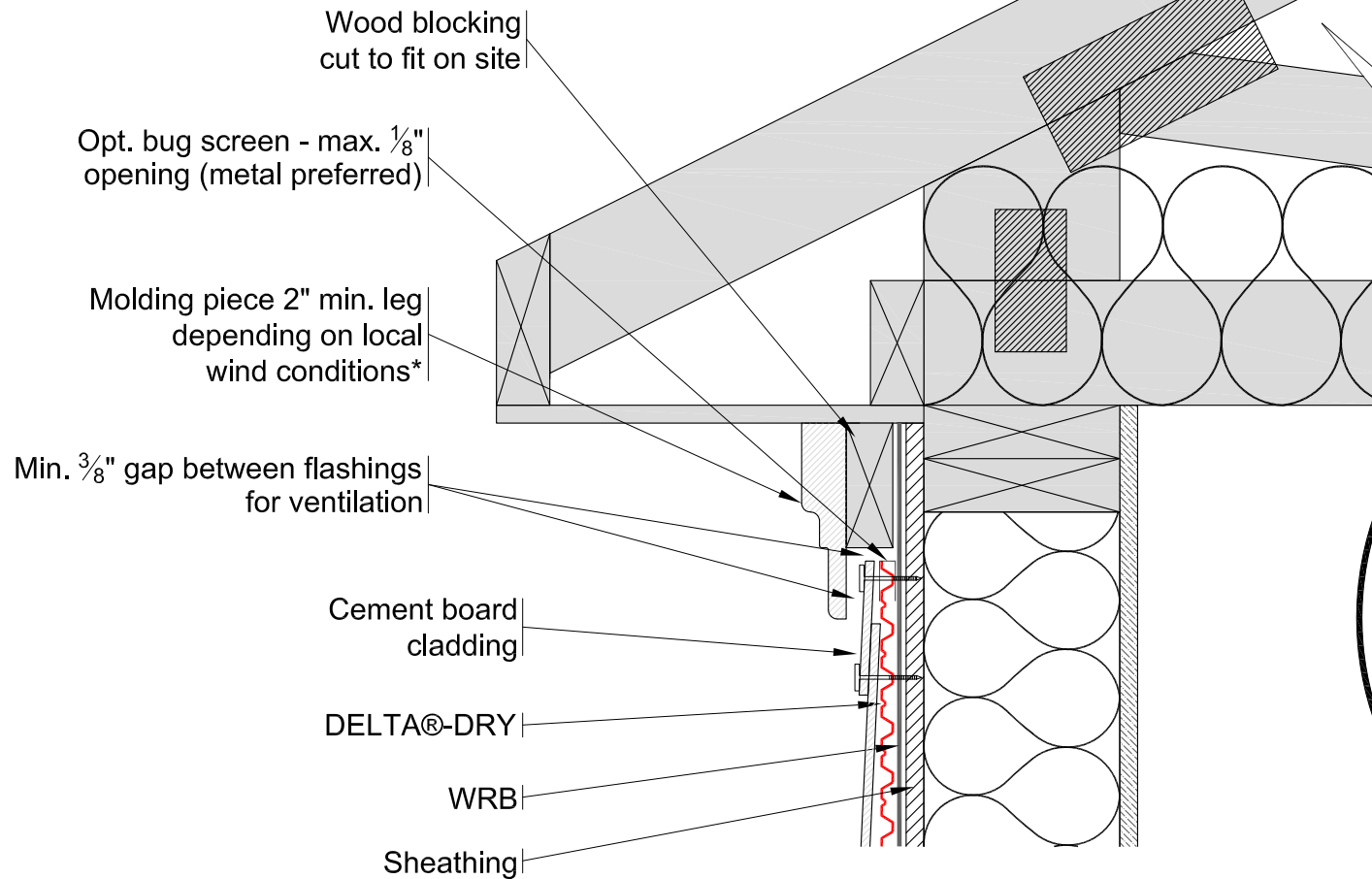
SCALE: NTS

FILE NAME: DRY3W1.dwg

NOTE:
WRB (WATER RESISTIVE BARRIER) TO BE
INSTALLED AS PER THE MANUFACTURER'S
SPECIFICATIONS

*Note: Check local requirements for appropriate leg length

Option 1.



** For proper performance of DELTA®-DRY ensure top and bottom remain open to allow ventilation and drainage **

THIS DRAWING AND THE INFORMATION CONTAINED ARE THE PROPERTY OF COSELLA DÖRKEN. THEY ARE NOT TO BE COPIED OR MISUSED IN ANY WAY WITHOUT OUR WRITTEN PERMISSION

COSELLA DÖRKEN

4655 DELTA WAY BEAMSVILLE, ON. L0R 1B4 CANADA
 TEL# 1-888-433-5824 OR 1-905-563-3255

THIS IS A PROPOSAL DRAWING. DO NOT USE FOR CONSTRUCTION UNTIL APPROVED BY CONTRACTOR OR CONSULTING ENGINEER

TITLE: **DELTA®-DRY RAINSCREEN APPLICATION WITH CEMENT BOARD CLADDING TOP OF WALL DETAIL OPTION 1**

APP'D BY: _____ DATE: _____

DRAWN BY: KRZYSZTOF APRIASZ.

CHKD BY: _____

DATE: April 6, 2009

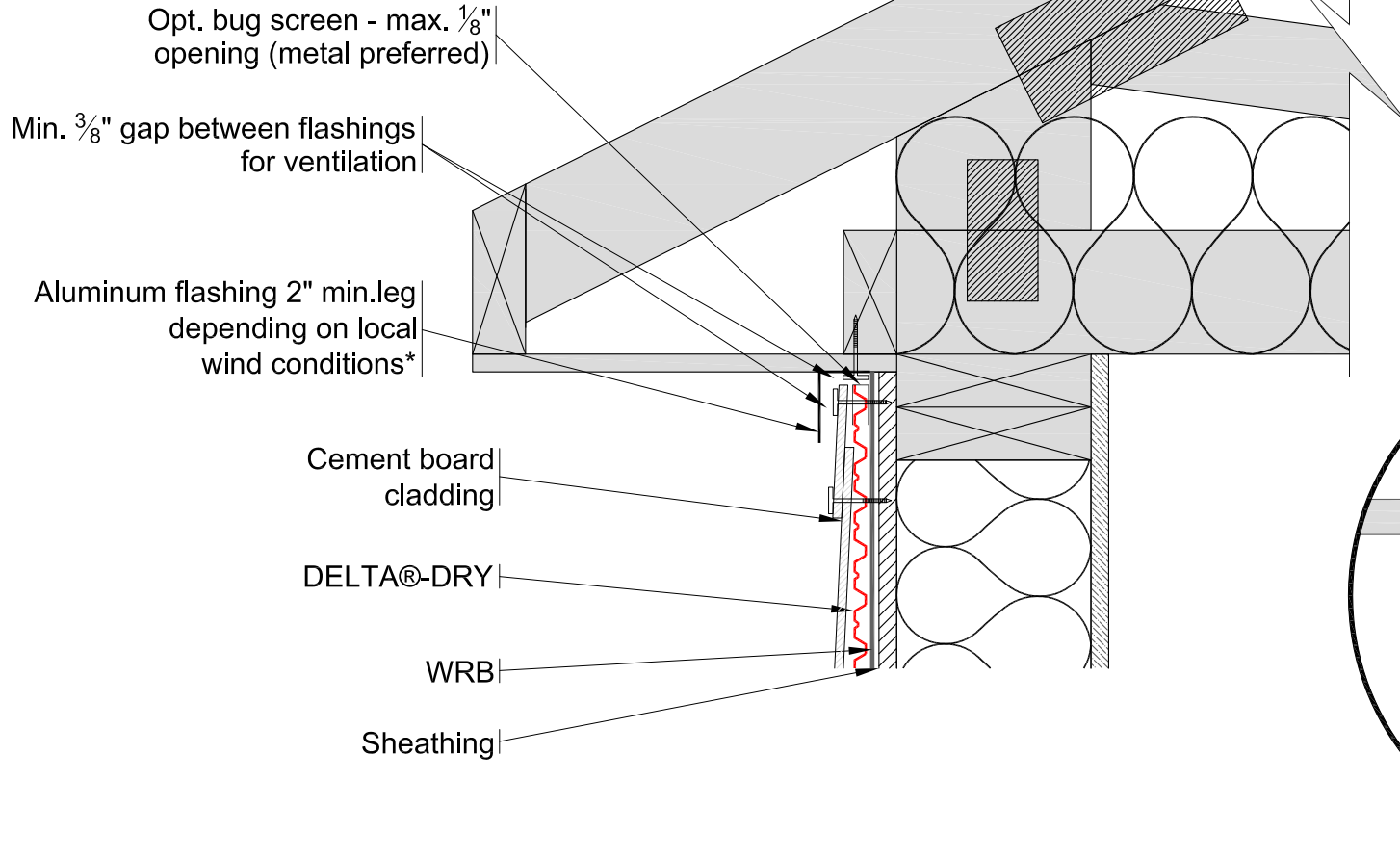
SCALE: NTS

FILE NAME: DRY3T1.dwg

NOTE:
WRB (WATER RESISTIVE BARRIER) TO BE
 INSTALLED AS PER THE MANUFACTURER'S
 SPECIFICATIONS

*Note: Check local requirements for
 appropriate leg length

Option 2. "L" flashing



Opt. bug screen - max. 1/8"
 opening (metal preferred)

Min. 3/8" gap between flashings
 for ventilation

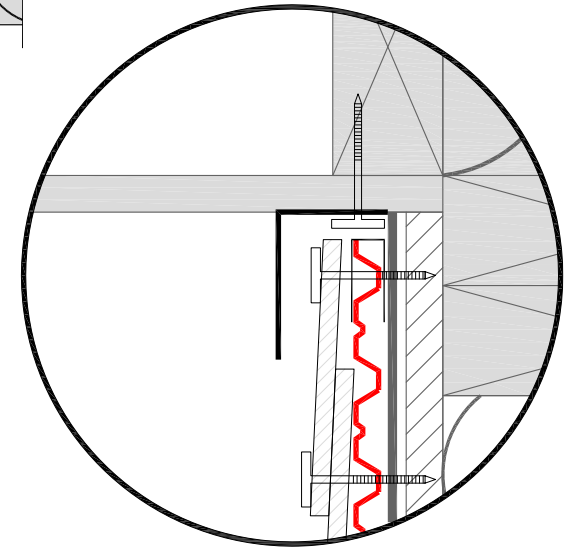
Aluminum flashing 2" min. leg
 depending on local
 wind conditions*

Cement board
 cladding

DELTA@-DRY

WRB

Sheathing



** For proper performance of DELTA@-DRY ensure top and bottom remain open to allow ventilation and drainage **

THIS DRAWING AND THE INFORMATION
 CONTAINED ARE THE PROPERTY OF
 COSELLA DÖRKEN. THEY ARE NOT TO BE
 COPIED OR MISUSED IN ANY WAY
 WITHOUT OUR WRITTEN PERMISSION

COSELLA DÖRKEN

4655 DELTA WAY BEAMSVILLE, ON. L0R 1B4 CANADA
 TEL# 1-888-433-5824 OR 1-905-563-3255

THIS IS A PROPOSAL DRAWING. DO NOT
 USE FOR CONSTRUCTION UNTIL
 APPROVED BY CONTRACTOR OR
 CONSULTING ENGINEER

TITLE:
**DELTA@-DRY RAINSCREEN APPLICATION WITH CEMENT
 BOARD CLADDING TOP OF WALL DETAIL OPTION 2**

APP'D BY: DATE:

DRAWN BY: KRZYSZTOF APRIASZ.

CHKD BY:

DATE: April 6, 2009

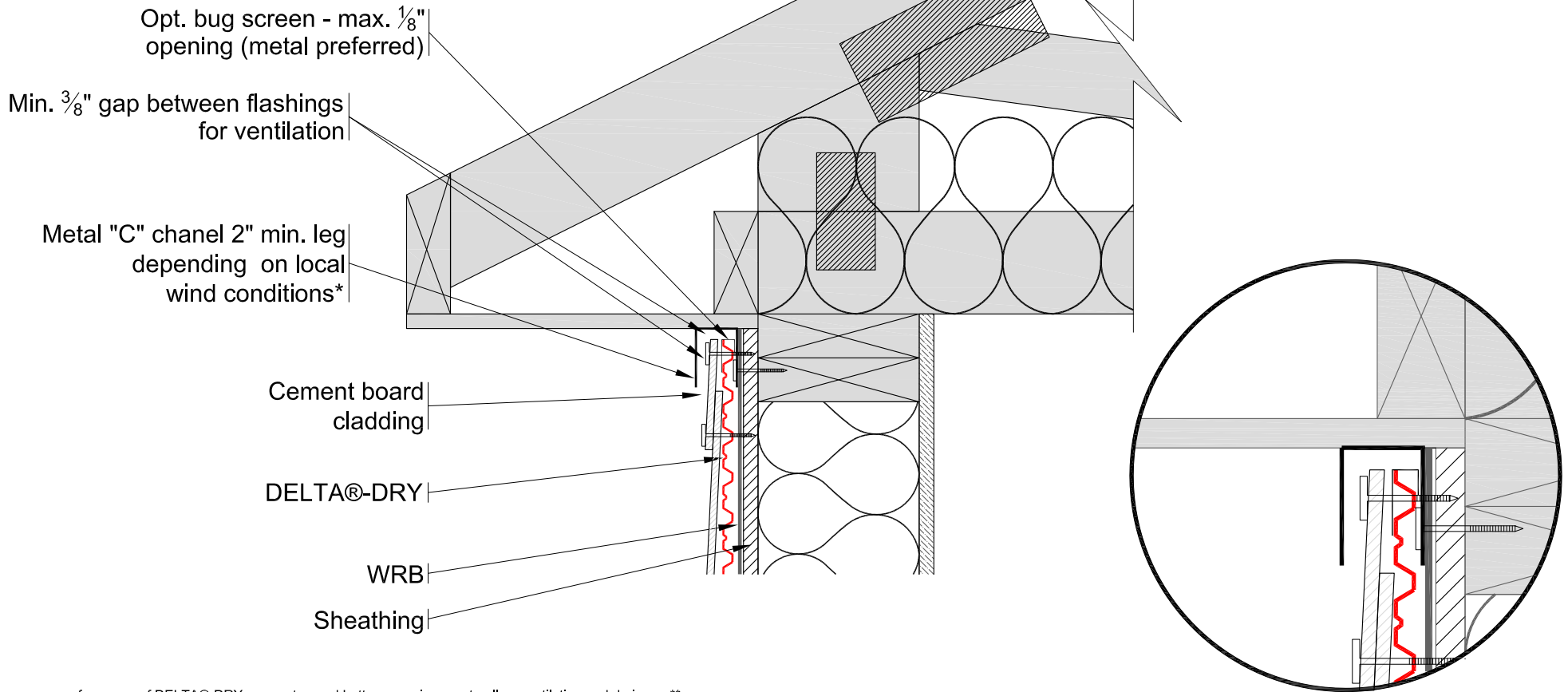
SCALE: NTS

FILE NAME: DRY3T2.dwg

NOTE:
WRB (WATER RESISTIVE BARRIER) TO BE
 INSTALLED AS PER THE MANUFACTURER'S
 SPECIFICATIONS

*Note: Check local requirements for
 appropriate leg length

Option 3. "C" chanel



** For proper performance of DELTA®-DRY ensure top and bottom remain open to allow ventilation and drainage **

THIS DRAWING AND THE INFORMATION
 CONTAINED ARE THE PROPERTY OF
 COSELLA DÖRKEN. THEY ARE NOT TO BE
 COPIED OR MISUSED IN ANY WAY
 WITHOUT OUR WRITTEN PERMISSION

COSELLA DÖRKEN

4655 DELTA WAY BEAMSVILLE, ON. L0R 1B4 CANADA
 TEL# 1-888-433-5824 OR 1-905-563-3255

THIS IS A PROPOSAL DRAWING. DO NOT
 USE FOR CONSTRUCTION UNTIL
 APPROVED BY CONTRACTOR OR
 CONSULTING ENGINEER

TITLE:
**DELTA®-DRY RAINSCREEN APPLICATION WITH CEMENT
 BOARD CLADDING TOP OF WALL DETAIL OPTION 3**

APP'D BY: _____ DATE: _____

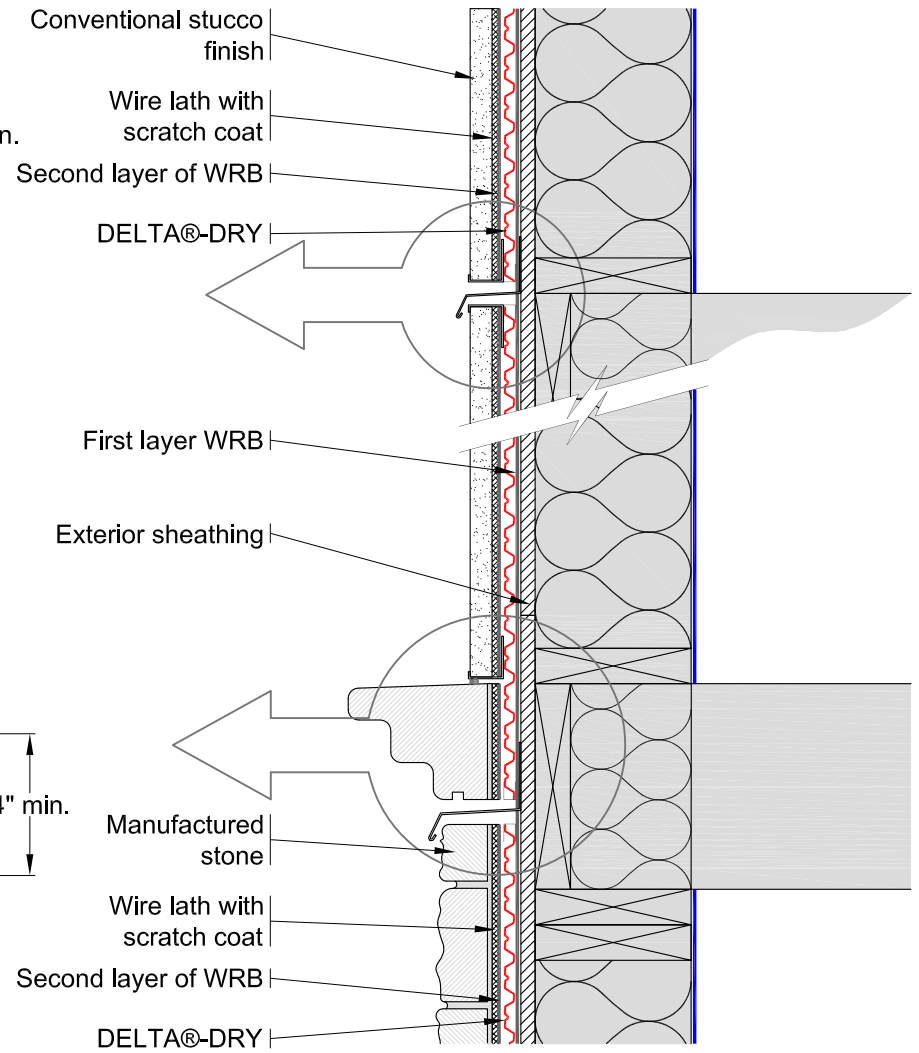
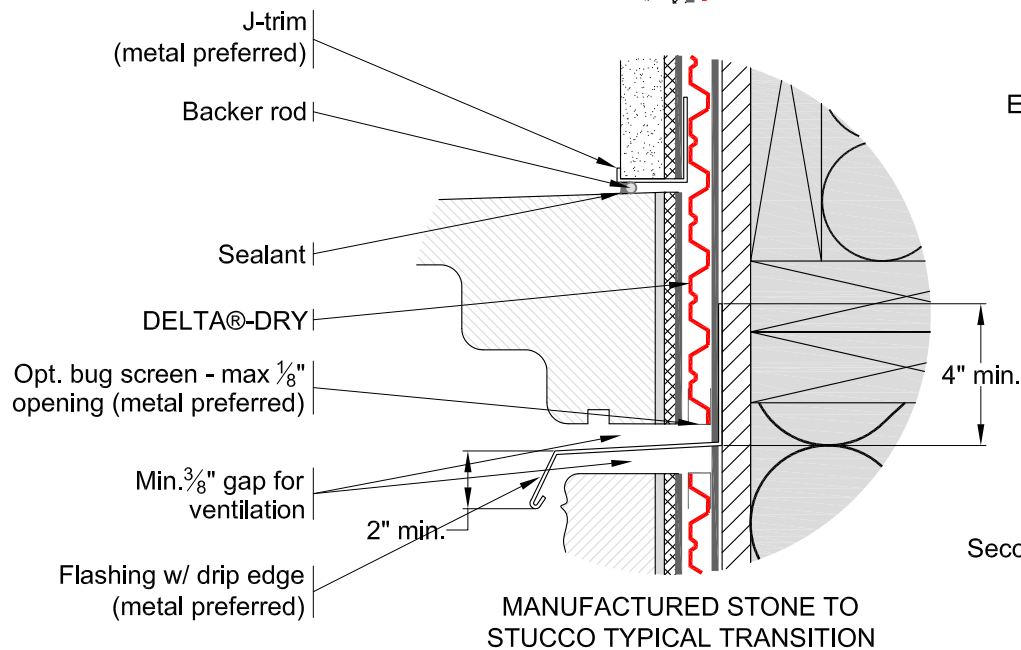
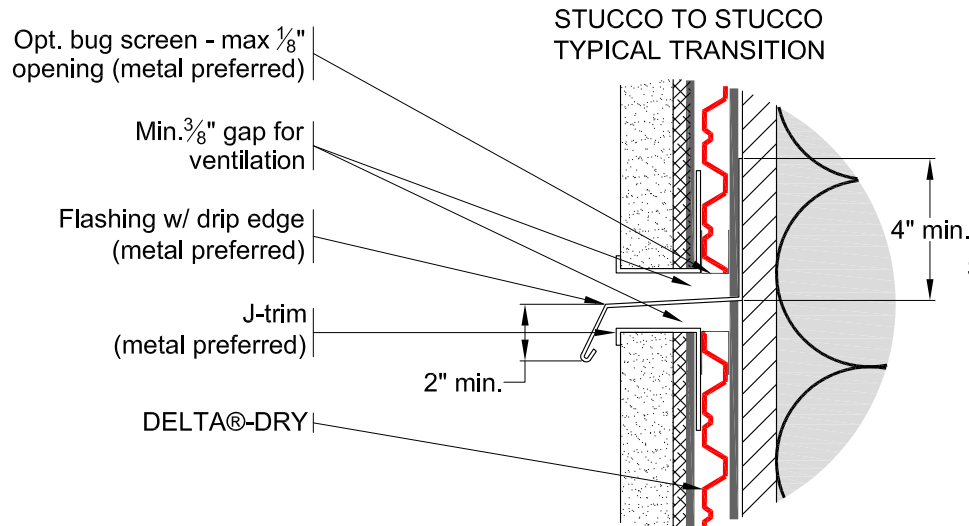
DRAWN BY: KRZYSZTOF APRIASZ.

CHKD BY: _____

DATE: April 6, 2009

SCALE: NTS

FILE NAME: DRY3T3.dwg



** For proper performance of DELTA@-DRY ensure top and bottom remain open to allow ventilation and drainage **

THIS DRAWING AND THE INFORMATION CONTAINED ARE THE PROPERTY OF COSELLA DÖRKEN. THEY ARE NOT TO BE COPIED OR USED IN ANY WAY WITHOUT OUR WRITTEN PERMISSION

COSELLA DÖRKEN

4655 DELTA WAY BEAMSVILLE, ON. L0R 1B4 CANADA
TEL# 1-888-433-5824 OR 1-905-563-3255

THIS IS A PROPOSAL DRAWING. DO NOT USE FOR CONSTRUCTION UNTIL APPROVED BY CONTRACTOR OR CONSULTING ENGINEER

TITLE:

TYPICAL WALL TRANSITION DETAILS

APP'D BY:

DATE:

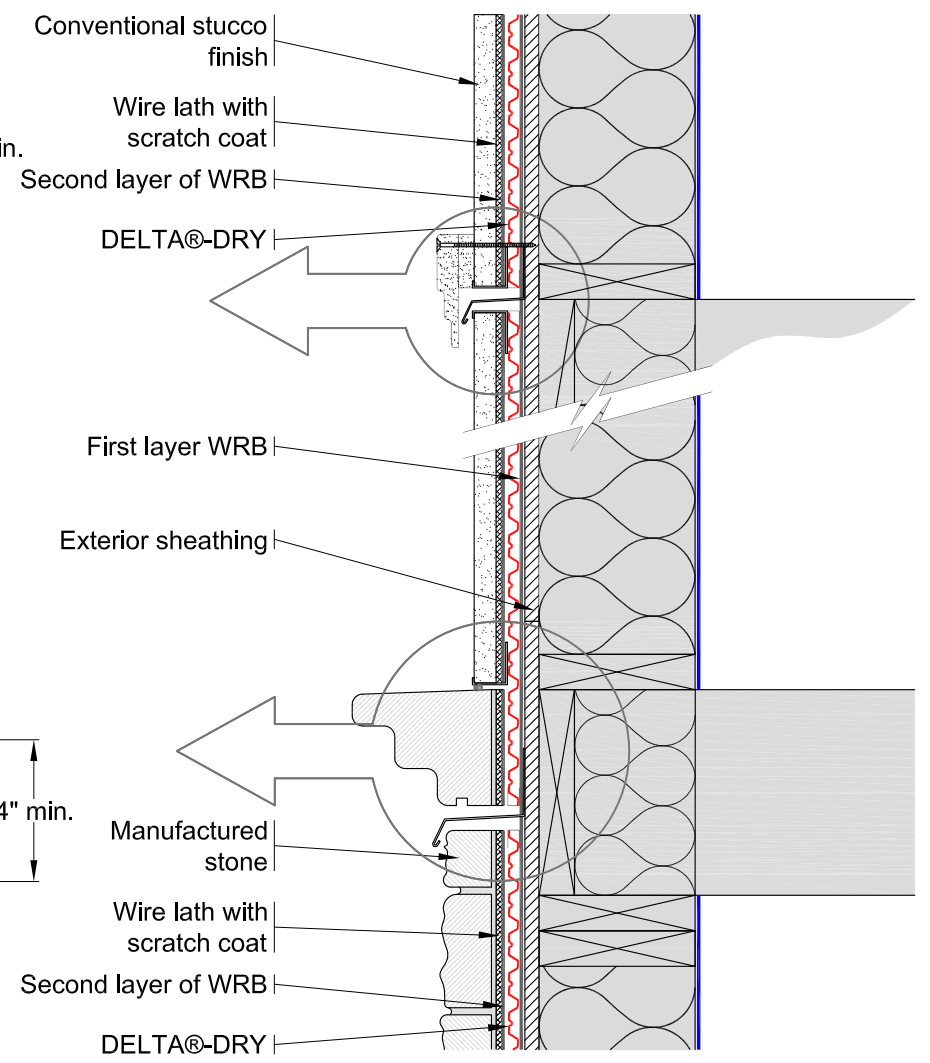
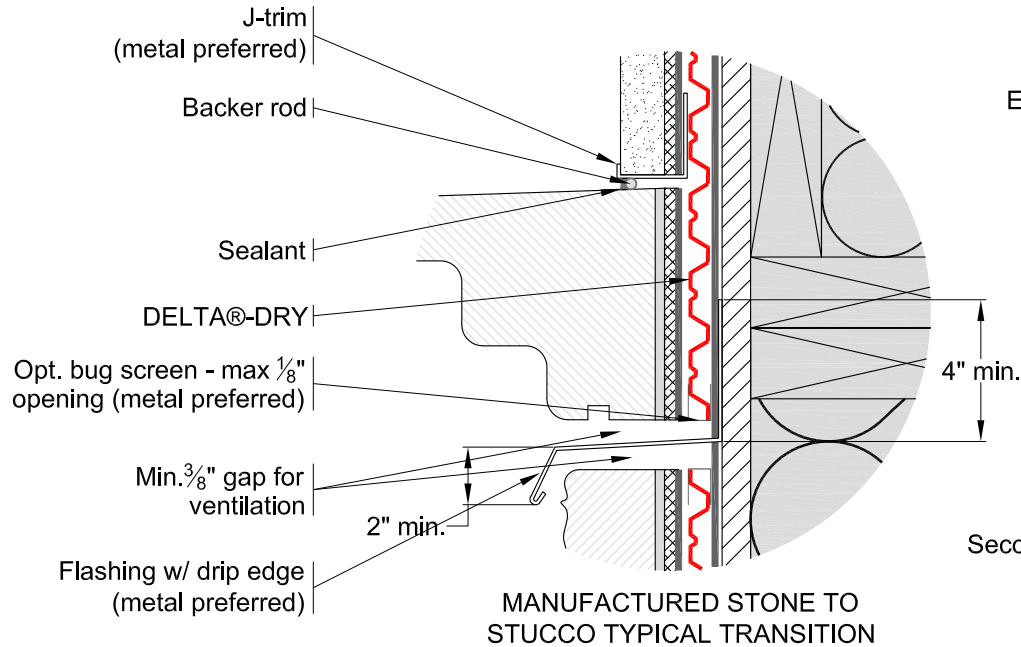
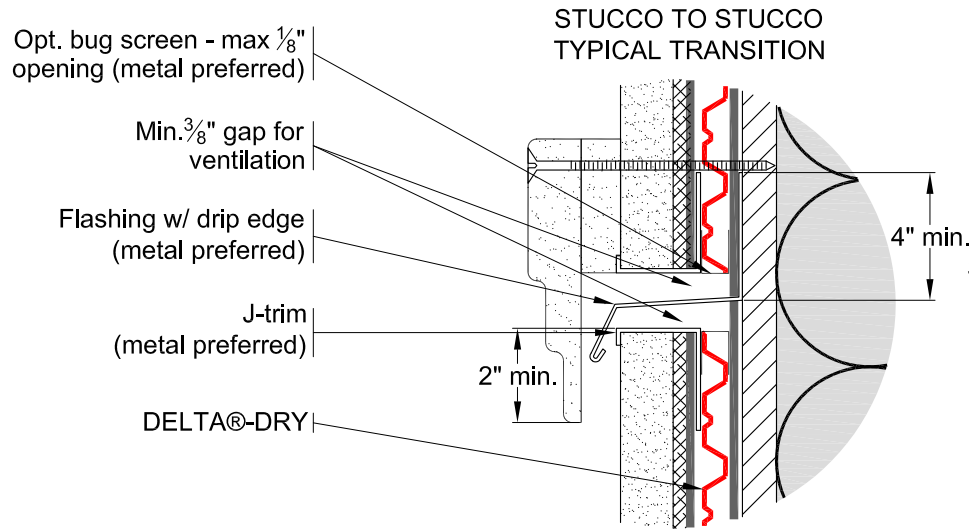
DRAWN BY: KRZYSZTOF APRIASZ.

CHKD BY:

DATE: March 25, 2009

SCALE: NTS

FILE NAME: Dry1TRANSITION1.dwg



** For proper performance of DELTA@-DRY ensure top and bottom remain open to allow ventilation and drainage **

THIS DRAWING AND THE INFORMATION CONTAINED ARE THE PROPERTY OF COSELLA DÖRKEN. THEY ARE NOT TO BE COPIED OR USED IN ANY WAY WITHOUT OUR WRITTEN PERMISSION

COSELLA DÖRKEN

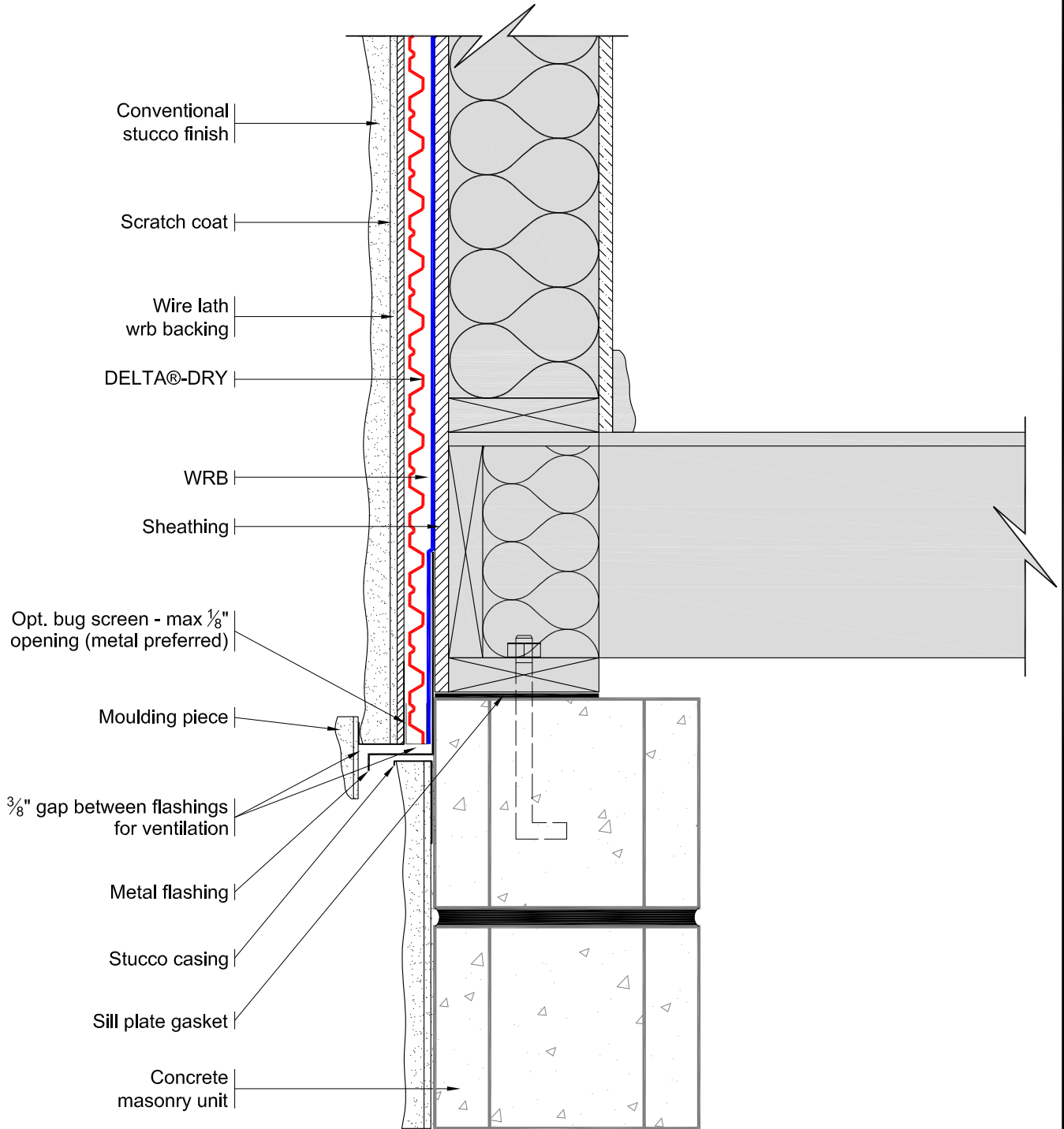
4655 DELTA WAY BEAMSVILLE, ON. L0R 1B4 CANADA
TEL# 1-888-433-5824 OR 1-905-563-3255

THIS IS A PROPOSAL DRAWING. DO NOT USE FOR CONSTRUCTION UNTIL APPROVED BY CONTRACTOR OR CONSULTING ENGINEER

TITLE: **TYPICAL WALL TRANSITION DETAILS**

APP'D BY: _____ DATE: _____ DRAWN BY: KRZYSZTOF APRIASZ. CHKD BY: _____ DATE: March 25, 2009 SCALE: NTS FILE NAME: Dry1TRANSITION1.dwg

NOTE:
WRB (WATER RESISTIVE BARRIRER) TO BE
INSTALLED AS PER MANUFACTURER'S
SPECIFICATIONS



****For Proper performance of DELTA®-DRY ensure top and bottom remain open to allow ventilation and drainage****

THIS DRAWING AND THE INFORMATION CONTAINED ARE THE PROPERTY OF COSELLA DÖRKEN. THEY ARE NOT TO BE COPIED OR USED IN ANY WAY WITHOUT OUR WRITTEN PERMISSION

COSELLA DÖRKEN

4655 DELTA WAY BEAMSVILLE, ON. L0R 1B4 CANADA
 TEL# 1-888-433-5824 OR 1-905-563-3255

THIS IS A PROPOSAL DRAWING. DO NOT USE FOR CONSTRUCTION UNTIL APPROVED BY CONTRACTOR OR CONSULTING ENGINEER

TITLE: **CONVENTIONAL STUCCO @ TRANSITION BETWEEN CMU AND FRAMED WALL ASSEMBLY**

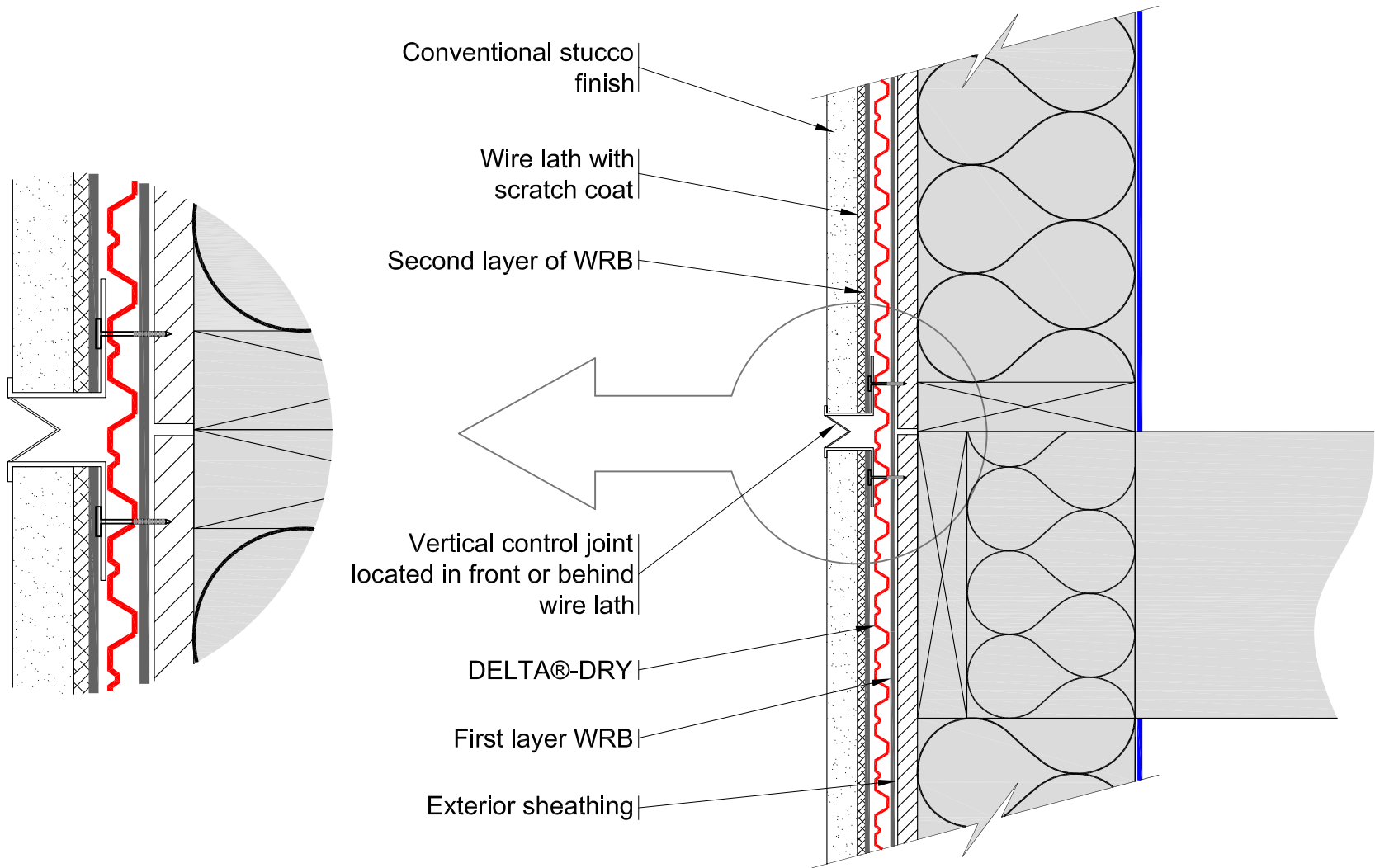
APP'D BY: _____ DATE: _____

DRAWN BY: KRZYSZTOF APRIASZ.

DATE: May 21, 2009

SCALE: NTS

FILE NAME: Stucco-CMU.dwg



** For proper performance of DELTA®-DRY ensure top and bottom remain open to allow ventilation and drainage **

THIS DRAWING AND THE INFORMATION CONTAINED ARE THE PROPERTY OF COSELLA DÖRKEN. THEY ARE NOT TO BE COPIED OR USED IN ANY WAY WITHOUT OUR WRITTEN PERMISSION

COSELLA DÖRKEN

4655 DELTA WAY BEAMSVILLE, ON. L0R 1B4 CANADA
TEL# 1-888-433-5824 OR 1-905-563-3255

THIS IS A PROPOSAL DRAWING. DO NOT USE FOR CONSTRUCTION UNTIL APPROVED BY CONTRACTOR OR CONSULTING ENGINEER

TITLE:

TYPICAL VERTICAL CONTROL JOINT

APP'D BY:

DATE:

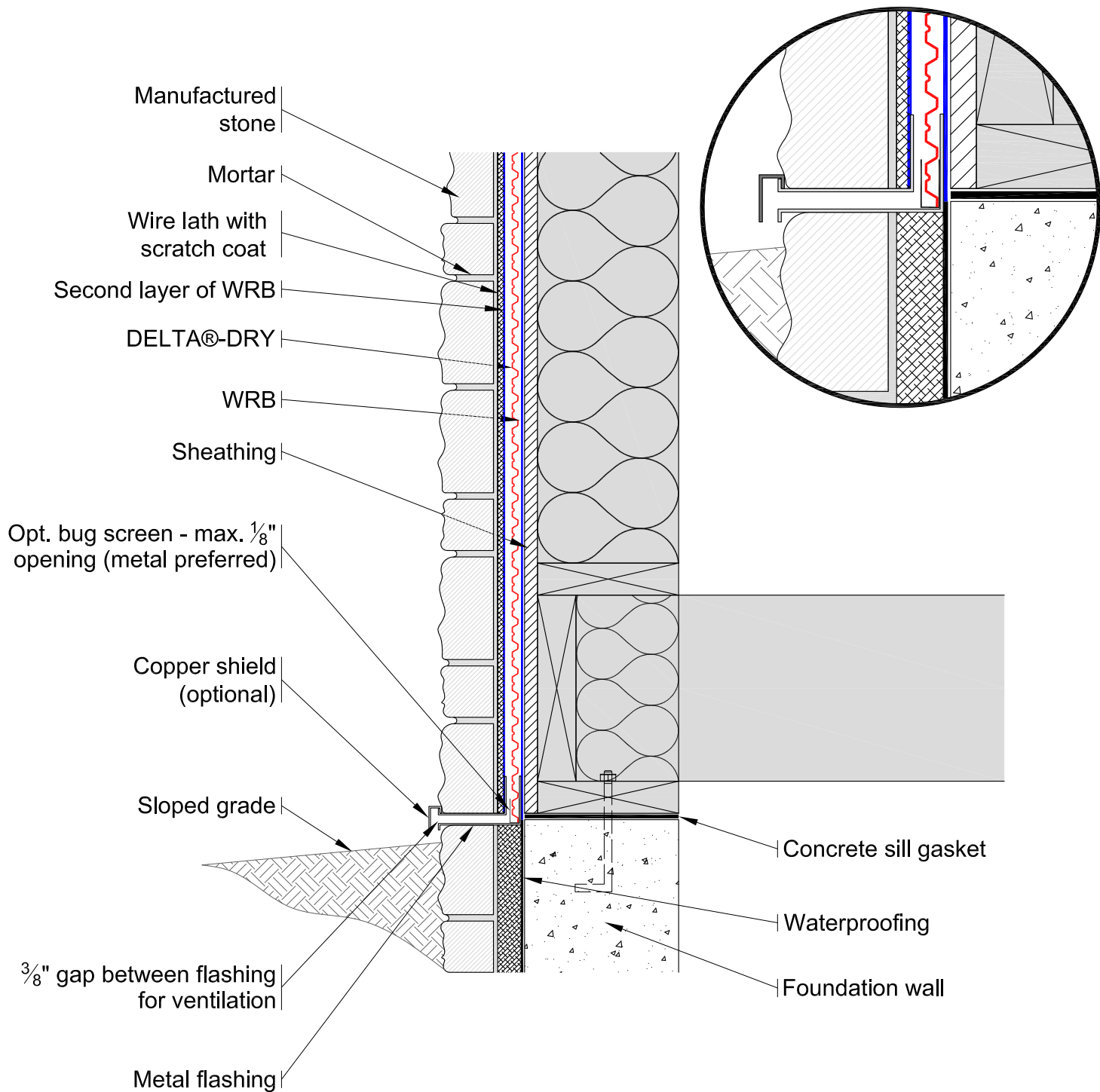
DRAWN BY: KRZYSZTOF APRIASZ.

CHKD BY:

DATE: March 25, 2009

SCALE: NTS

FILE NAME: dry1CONTROLJOINT.dwg



THIS DRAWING AND THE INFORMATION CONTAINED ARE THE PROPERTY OF COSELLA DÖRKEN. THEY ARE NOT TO BE COPIED OR USED IN ANY WAY WITHOUT OUR WRITTEN PERMISSION

COSELLA DÖRKEN

4655 DELTA WAY BEAMSVILLE, ON. L0R 1B4 CANADA
TEL# 1-888-433-5824 OR 1-905-563-3255

THIS IS A PROPOSAL DRAWING. DO NOT USE FOR CONSTRUCTION UNTIL APPROVED BY CONTRACTOR OR CONSULTING ENGINEER

TITLE:

MANUFACTURED STONE BELOW GRADE
WITH DELTA@-DRY DETAIL OPTION 1

APP'D BY:

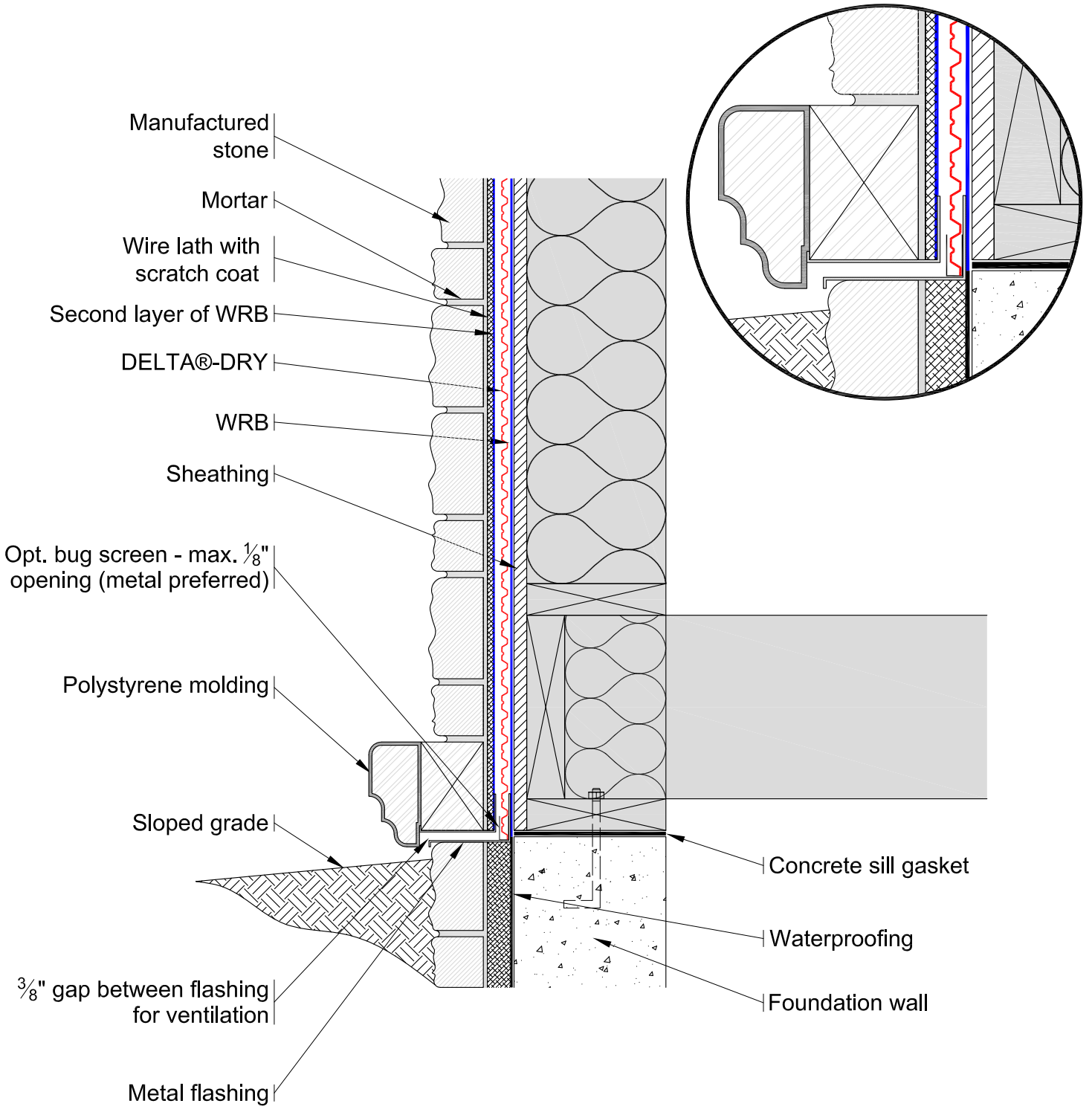
DATE:

DRAWN BY: KRZYSZTOF APRIASZ.

DATE: Feb. 10/09

SCALE: NTS

FILE NAME: DRYwMSB.dwg



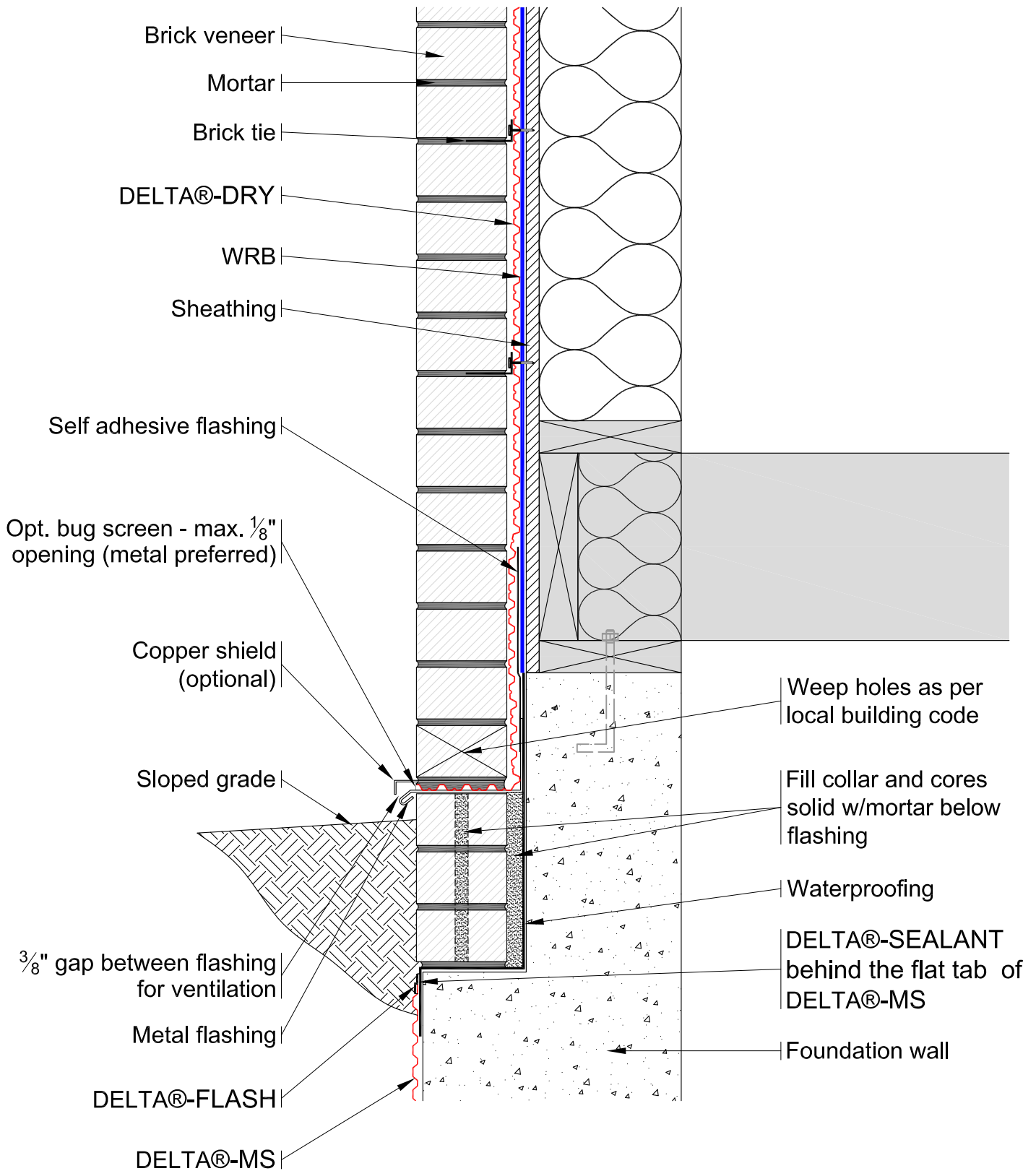
THIS DRAWING AND THE INFORMATION CONTAINED ARE THE PROPERTY OF COSELLA DÖRKEN. THEY ARE NOT TO BE COPIED OR USED IN ANY WAY WITHOUT OUR WRITTEN PERMISSION

COSELLA DÖRKEN
 4655 DELTA WAY BEAMSVILLE, ON. L0R 1B4 CANADA
 TEL# 1-888-433-5824 OR 1-905-563-3255

THIS IS A PROPOSAL DRAWING. DO NOT USE FOR CONSTRUCTION UNTIL APPROVED BY CONTRACTOR OR CONSULTING ENGINEER

APP'D BY: _____ DATE: _____

TITLE: MANUFACTURED STONE BELOW GRADE WITH DELTA®-DRY DETAIL OPTION 2			
DRAWN BY: KRZYSZTOF APRIASZ.	DATE: Feb. 10/09	SCALE: NTS	FILE NAME: DRYwMSB2.dwg



THIS DRAWING AND THE INFORMATION CONTAINED ARE THE PROPERTY OF COSELLA DÖRKEN. THEY ARE NOT TO BE COPIED OR USED IN ANY WAY WITHOUT OUR WRITTEN PERMISSION

COSELLA DÖRKEN

4655 DELTA WAY BEAMSVILLE, ON. L0R 1B4 CANADA
TEL# 1-888-433-5824 OR 1-905-563-3255

THIS IS A PROPOSAL DRAWING. DO NOT USE FOR CONSTRUCTION UNTIL APPROVED BY CONTRACTOR OR CONSULTING ENGINEER

TITLE:

**BURIED BRICK LEDGE
WITH DELTA®-DRY**

APP'D BY:

DATE:

DRAWN BY: KRZYSZTOF APRIASZ.

DATE: Feb. 4/09

SCALE: NTS

FILE NAME: dry_buriedbrick.dwg